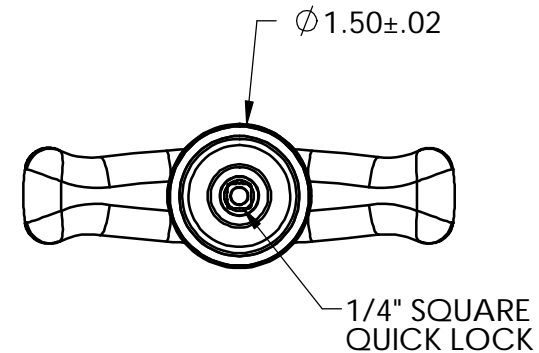
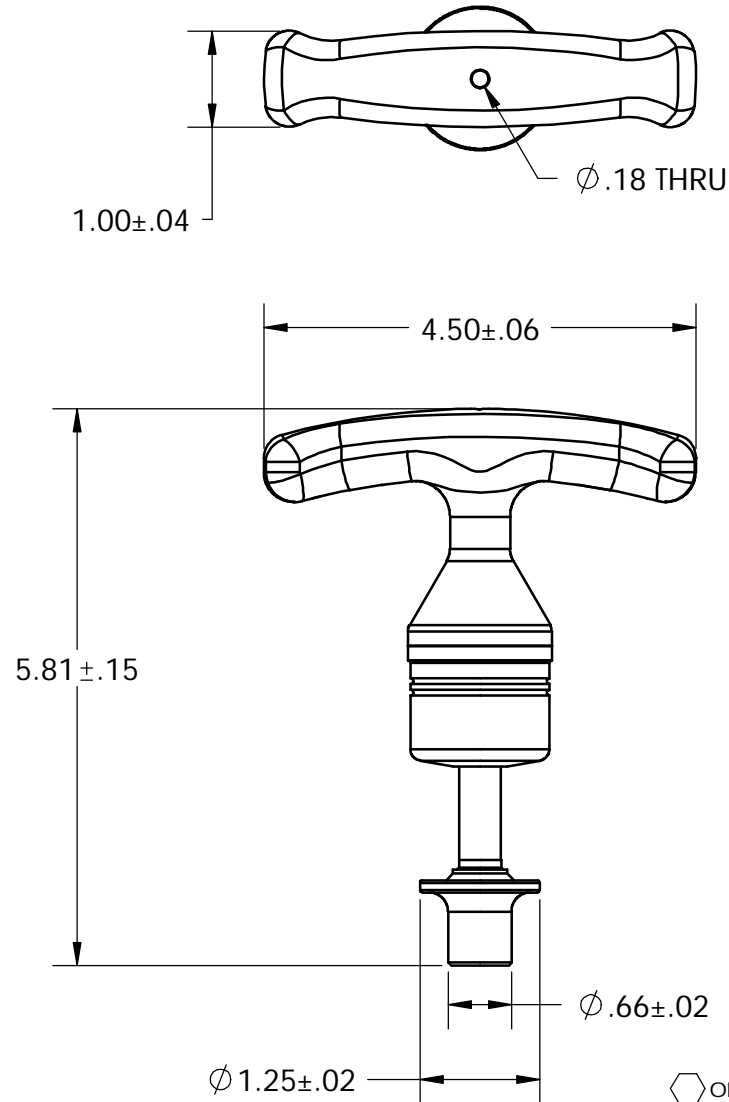


# FOR REFERENCE ONLY

## REVISIONS - TM112xxx-\_\_\_(CC)

REV	DESCRIPTION	DATE/BY	ECN NO.



**PRODUCT SPECIFICATIONS TO BE FILLED IN AT TIME OF ORDER:**

**COMPLETE PART NO.** \_\_\_\_\_

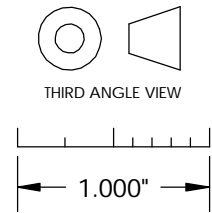
**TORQUE SETTINGS:** \_\_\_\_\_ ±10% (110 LB-IN MAX)

**COLOR OF HANDLE:** \_\_\_\_\_

**APPROVAL/DATE:** \_\_\_\_\_

OR DENOTES INSPECTION FEATURE

THIS DOCUMENT INCLUDING ALL DATA, SPECIFICATIONS, AND INFORMATION CONTAINED WITHIN IS CONFIDENTIAL AND PROPRIETARY TO BEERE PRECISION MEDICAL INSTRUMENTS, INC. BY RETENTION, THE RECIPIENT AGREES NOT TO REPRODUCE, DISCLOSE, OR MAKE USE OF ITS CONTENTS IN ANY WAY WITHOUT PRIOR WRITTEN PERMISSION OF AN OFFICER OF BEERE PRECISION MEDICAL INSTRUMENTS, INC.



MATERIAL		UNSPECIFIED TOLERANCES				5307 95TH AVE KENOSHA, WI 53144 (262) 657-2800	
HEAT TREAT		.X +/- .020 ANGLE +/- 1° .XX +/- .010 MACHINE .XXX +/- .005 FINISH .XXXX +/- .0005		CONCENTRICITY .005 T.I.R. SQUARENESS .001 PER IN.		TITLE <b>COMFORT - T HANDLE WITH 1/4" SQUARE QUICK CONNECT, TORQUE LIMITING DRIVER</b>	
FINISH		DO NOT SCALE DRAWING		DRAWN TJM DATE 02/26/01 SIZE A		SUPERSEDED NO. DRAWING NO. TM112xxx-___(CC) REV A	
REMOVE ALL BURRS		BREAK SHARP CORNERS		APPROVED DATE		SCALE 1:2 <b>ILLUSTRATION</b> SHEET 1 OF 1	
PART TO BE FREE OF DIRT, OIL, AND CONTAMINANTS							