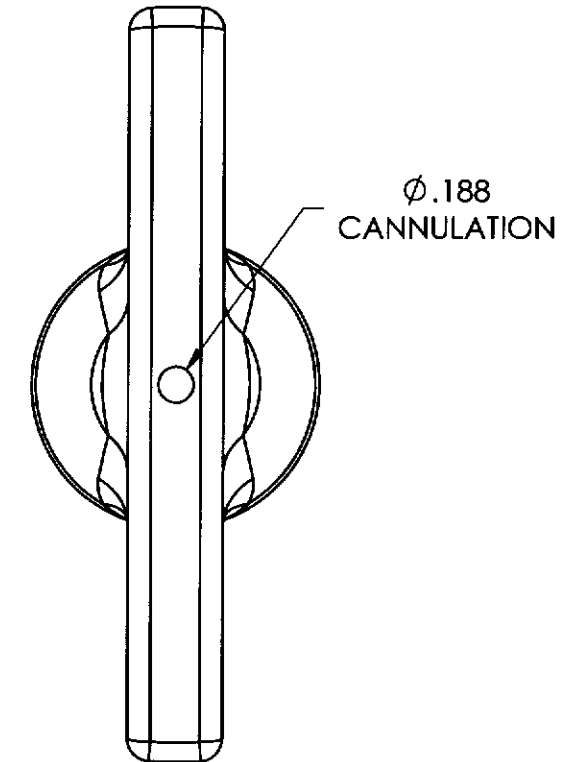
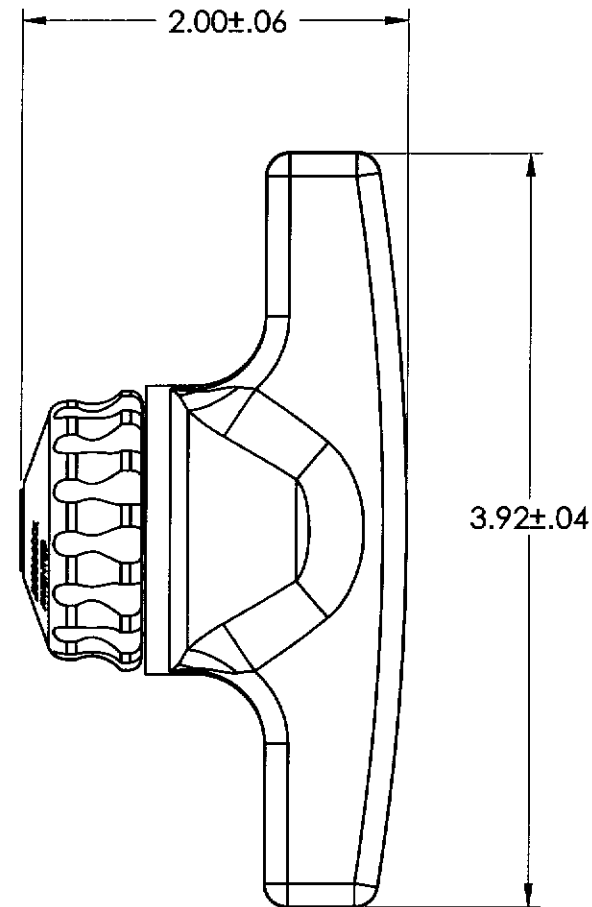
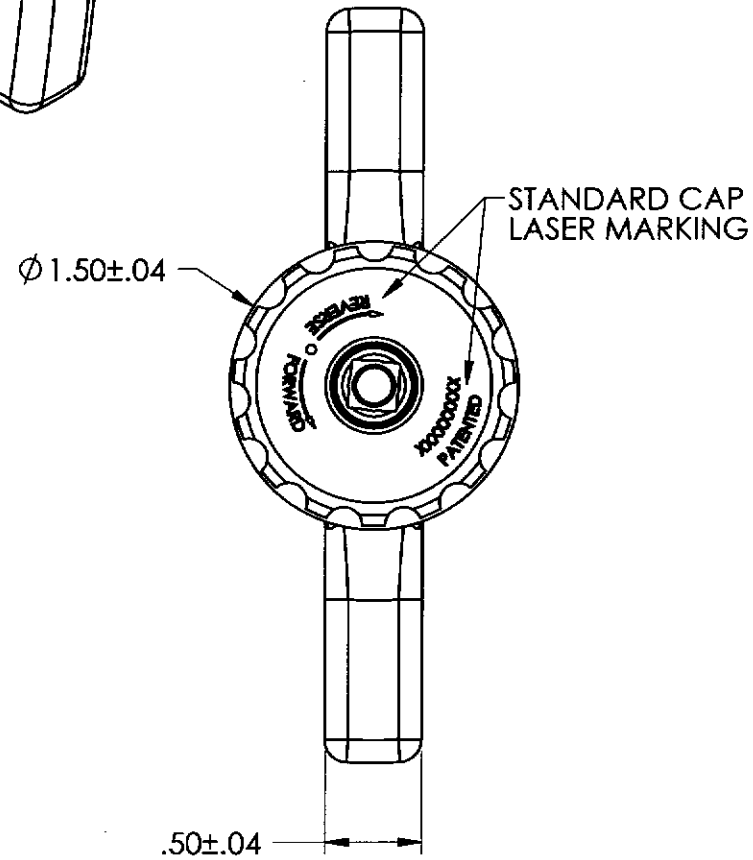
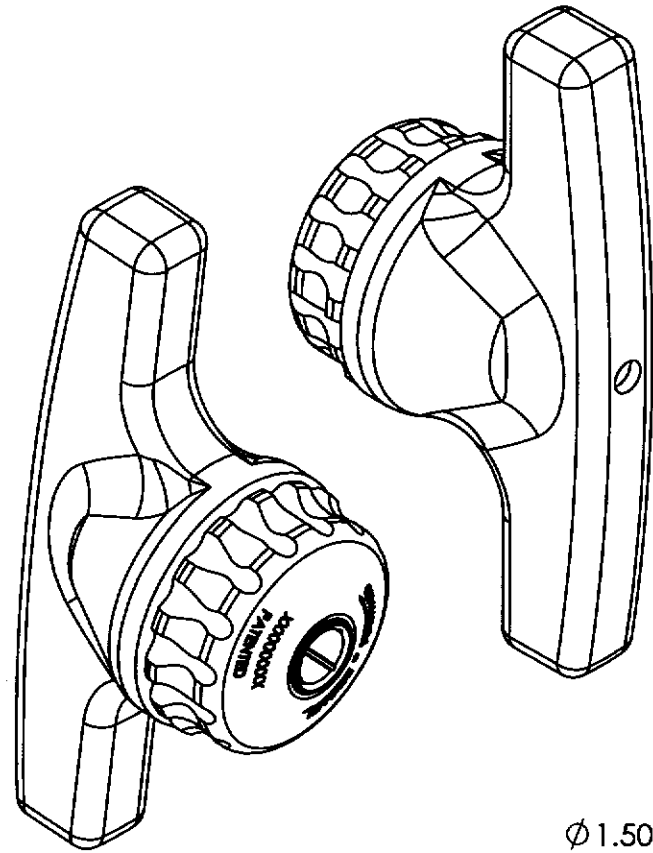
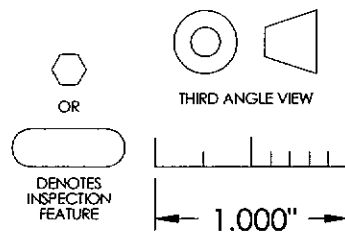


# FOR REFERENCE ONLY

| REVISIONS - TR311000-___(cc) |             |         |         |
|------------------------------|-------------|---------|---------|
| REV                          | DESCRIPTION | DATE/BY | DCN NO. |
|                              |             |         |         |



THIS DOCUMENT INCLUDING ALL DATA, SPECIFICATIONS, AND INFORMATION CONTAINED WITHIN IS CONFIDENTIAL AND PROPRIETARY TO BEERE PRECISION MEDICAL INSTRUMENTS BY RETENTION. THE RECIPIENT AGREES NOT TO REPRODUCE, DISCLOSE, OR MAKE USE OF ITS CONTENTS IN ANY WAY, WITHOUT PRIOR WRITTEN PERMISSION OF AN OFFICER OF BEERE PRECISION MEDICAL INSTRUMENTS.



|                  |   |   |  |   |   |   |
|------------------|---|---|--|---|---|---|
| TR311000-___(cc) | MATERIAL  | UNSPECIFIED TOLERANCES  |  | <b>beere</b> PRECISION<br><b>medical</b><br>INSTRUMENTS | 5307 95TH AVE<br>KENOSHA, WI 53144<br>(262) 657-2800  |   |
|                  | HEAT TREAT  | X $\pm .020$<br>.XX $\pm .010$<br>.XXX $\pm .005$<br>.XXXX $\pm .0005$          | ANGLE $\pm 1^\circ$<br>MACHINE FINISH $\checkmark$ |   | TITLE   |   |
|                  | FINISH  | CONCENTRICITY $.005$ T.I.R.<br>SQUARENESS $.005$ T.I.R.<br>DO NOT SCALE DRAWING |  | RTCH SD, T-HDL MIN PLAY                                 |   |   |
|                  | REMOVE ALL BURRS<br>PART TO BE FREE OF DIRT, OIL AND CONTAMINANTS | BREAK SHARP CORNERS   | DRAWN <b>HG</b><br>DATE <b>10/29/03</b>            | SIZE <b>B</b><br>SCALE <b>1:1</b>                       | SUPERSEDED NO.<br>DRAWING NO. <b>TR311000-___(cc)</b> | REV <b>00</b><br>SHEET <b>1</b> OF <b>1</b> |