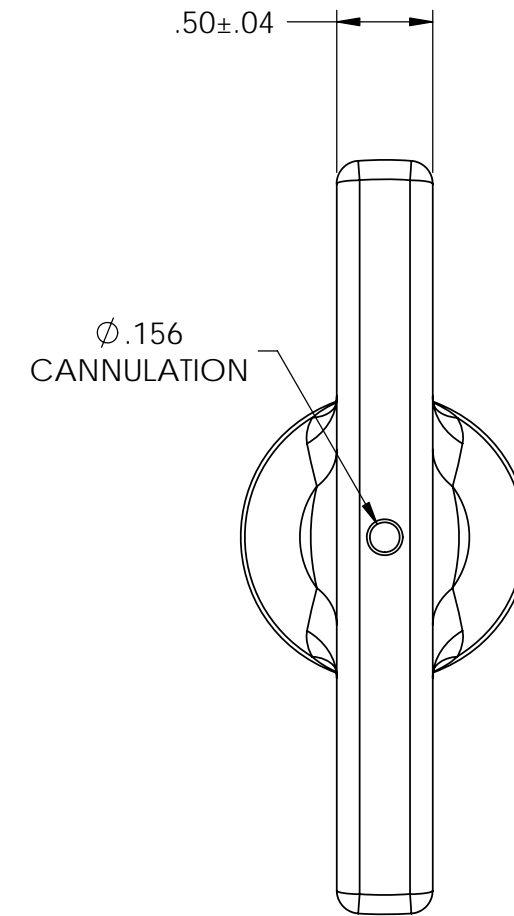
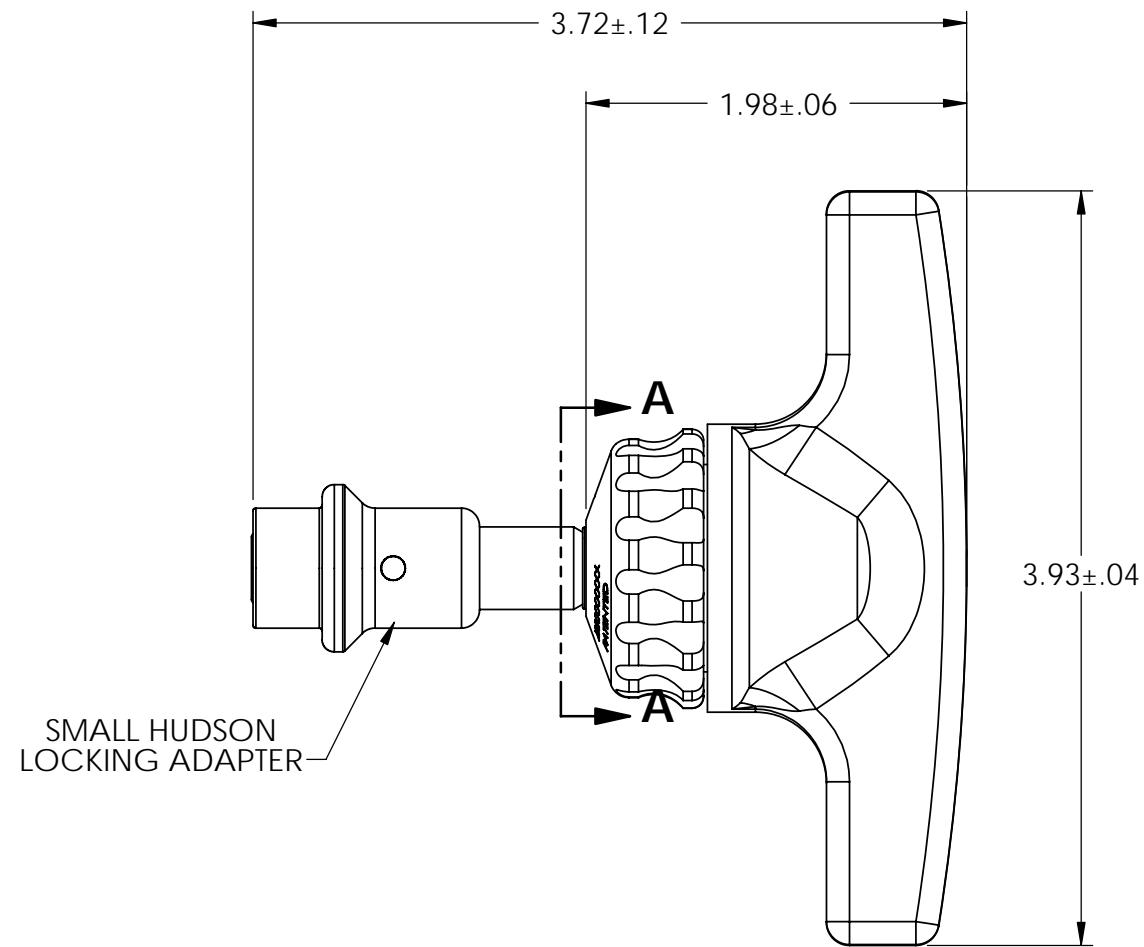
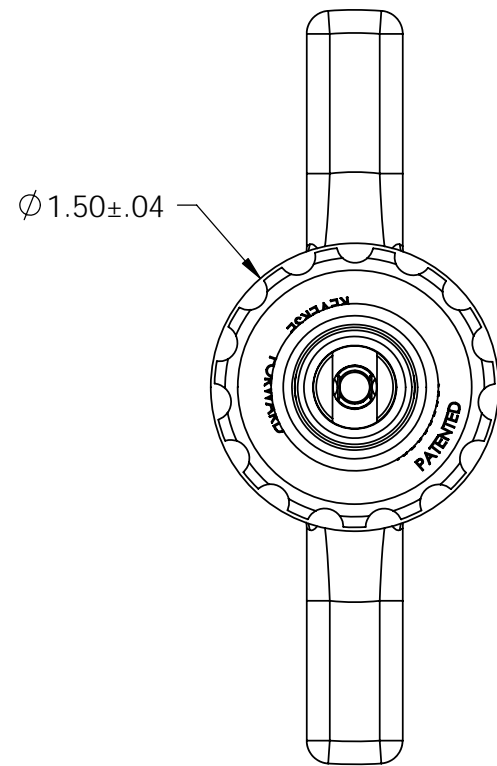
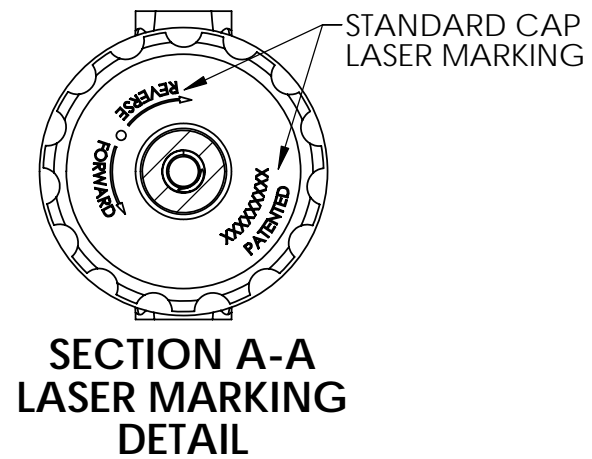
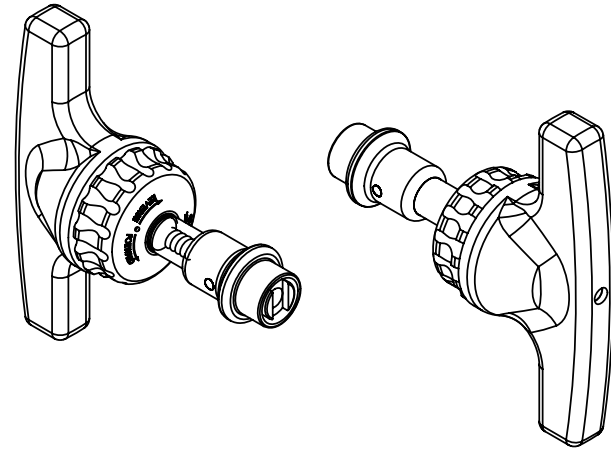


FOR REFERENCE ONLY

REVISIONS: TR313000-___(CC)

REV	DESCRIPTION	DATE/BY	DCN
-----	-------------	---------	-----



SMALL HUDSON LOCKING ADAPTER

TR313000-___(CC)	CUSTOMER REF	MATERIAL	UNSPECIFIED TOLERANCES INCHES		 beere KMedic <small>5307 95th Avenue Kenosha, WI 53144, USA Phone: 262-657-2800 Fax: 262-657-2801 www.teleflexmedical.com</small>			
	SOLIDMODEL TR313000-___(CC)	HEAT TREAT	X +/- .020 ANGLE +/- 1° XX +/- .010 MACHINE .XXX +/- .005 FINISH 32 XXXX +/- .0005					
	FORGING	FINISH	CONCENTRICITY .005 T.I.R. SQUARENESS .001 PER. IN. DO NOT SCALE DRAWING		TITLE RTCL, T, CANN SM HUD ADPT			
	 DENOTES INSPECTION FEATURE	REMOVE ALL BURRS BREAK SHARP CORNERS	DRAWN CER	DATE 03/12/08	SIZE B	SUPERSEDED NO.	DRAWING NO. TR313000-___(CC)	REV A
 THIRD ANGLE VIEW	PART TO BE FREE OF DIRT, OIL AND CONTAMINANTS	APPROVED	DATE	SCALE 1:1	UNITS INCHES	ILLUSTRATION	SHEET 1 OF 1	

THIS DOCUMENT INCLUDING ALL DATA, SPECIFICATIONS, AND INFORMATION CONTAINED WITHIN IS CONFIDENTIAL AND PROPRIETARY TO TELEFLEX MEDICAL BY RETENTION. THE RECIPIENT AGREES NOT TO REPRODUCE, DISCLOSE, OR MAKE USE OF ITS CONTENTS IN ANY WAY, WITHOUT PRIOR WRITTEN PERMISSION OF AN OFFICER OF TELEFLEX MEDICAL.