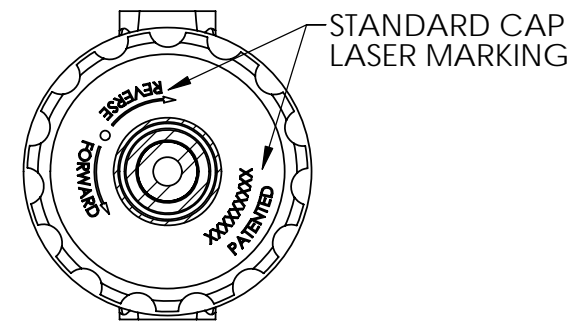
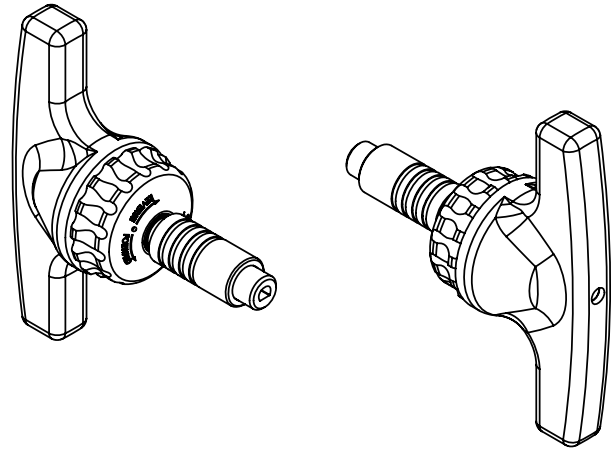


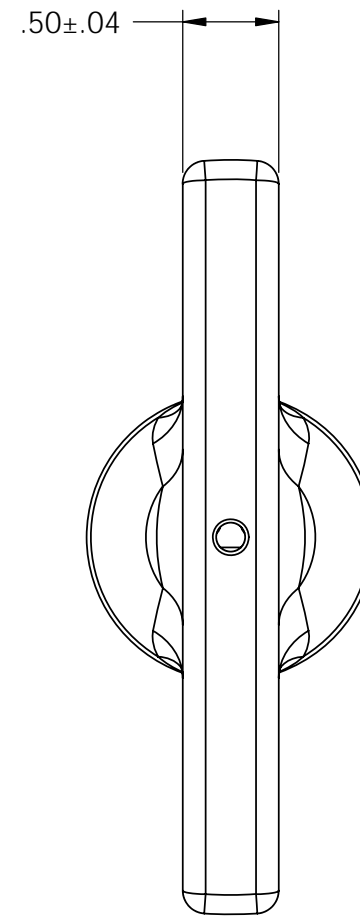
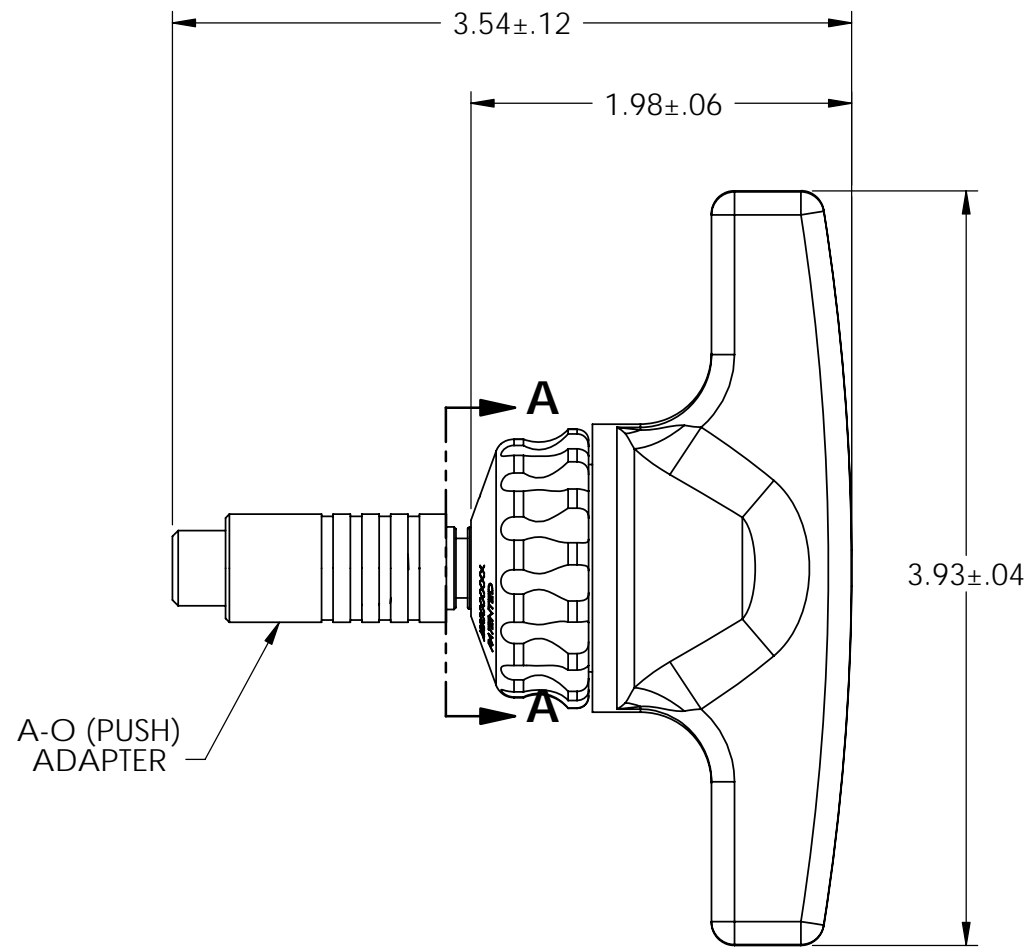
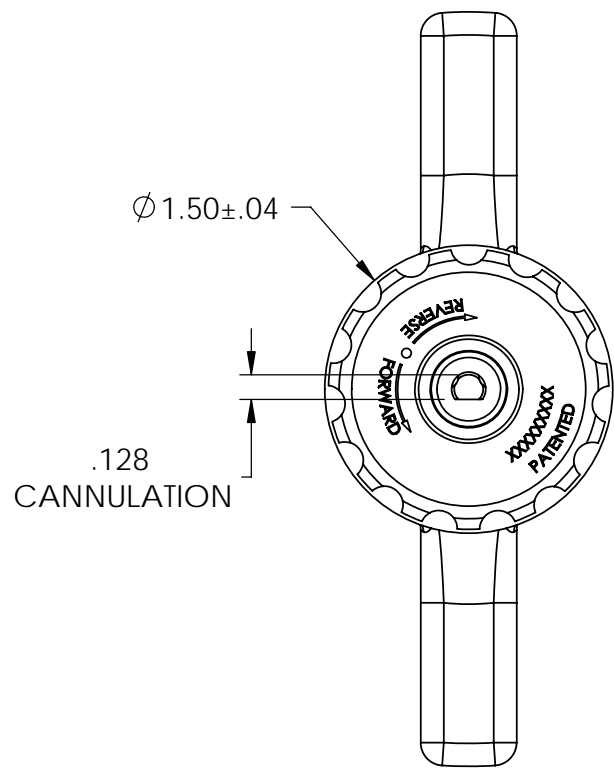
FOR REFERENCE ONLY

REVISIONS: TR320000-___(CC)

REV	DESCRIPTION	DATE/BY	DCN
-----	-------------	---------	-----



SECTION A-A
LASER MARKING
DETAIL



THIS DOCUMENT INCLUDING ALL DATA, SPECIFICATIONS, AND INFORMATION CONTAINED WITHIN IS CONFIDENTIAL AND PROPRIETARY TO TELEFLEX MEDICAL BY RETENTION. THE RECIPIENT AGREES NOT TO REPRODUCE, DISCLOSE, OR MAKE USE OF ITS CONTENTS IN ANY WAY, WITHOUT PRIOR WRITTEN PERMISSION OF AN OFFICER OF TELEFLEX MEDICAL.

TR320000-___(CC)	CUSTOMER REF	MATERIAL	UNSPECIFIED TOLERANCES INCHES		 beere KMedic <small>5307 95th Avenue Kenosha, WI 53144, USA Phone: 262-657-2800 Fax: 262-657-2801 www.teleflexmedical.com</small>				
	SOLIDMODEL TR320000-___(CC)	HEAT TREAT	X +/- .020	ANGLE +/- 1°					
	FORGING	FINISH	XX +/- .010	MACHINE	CONCENTRICITY .005 T.I.R. SQUARENESS .001 PER. IN. DO NOT SCALE DRAWING				
	 DENOTES INSPECTION FEATURE		REMOVE ALL BURRS	BREAK SHARP CORNERS					DRAWN CER
 THIRD ANGLE VIEW		PART TO BE FREE OF DIRT, OIL AND CONTAMINANTS		APPROVED	DATE	SCALE 1:1	UNITS INCHES	ILLUSTRATION SHEET 1 OF 1	