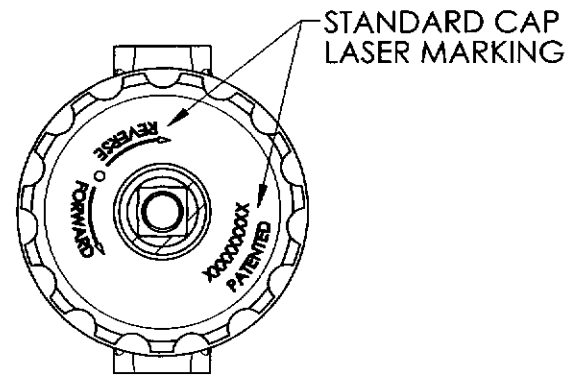
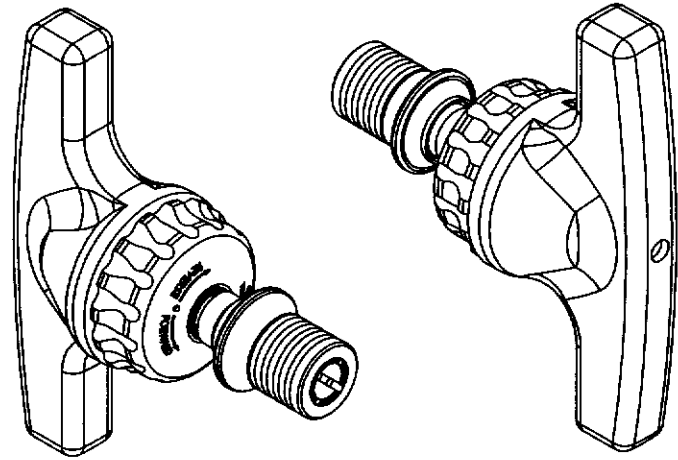
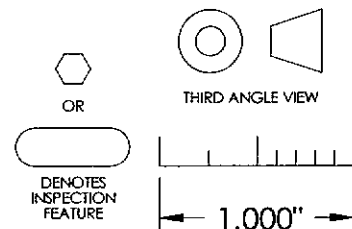
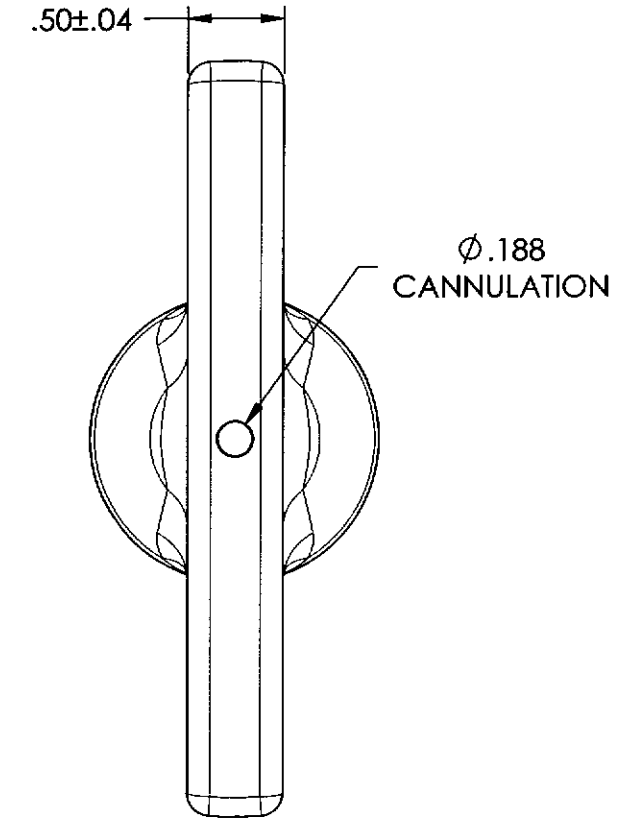
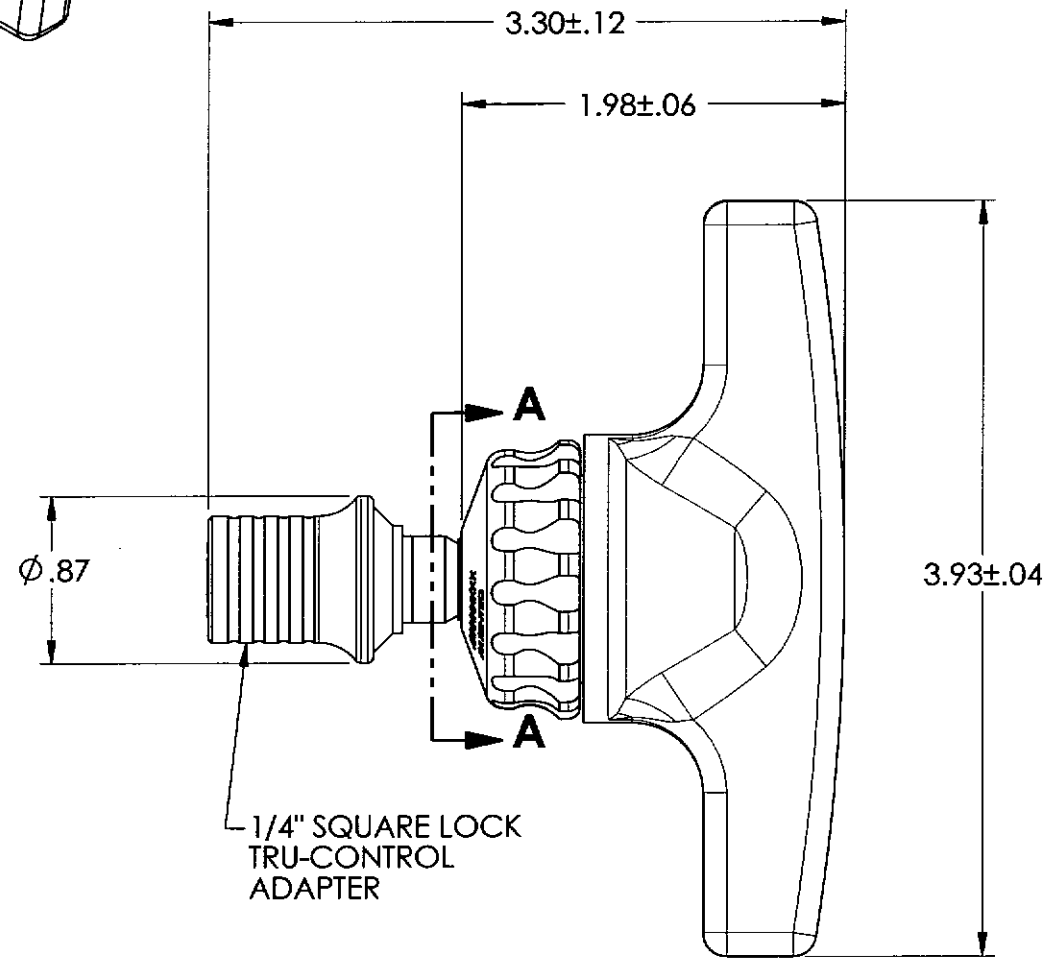
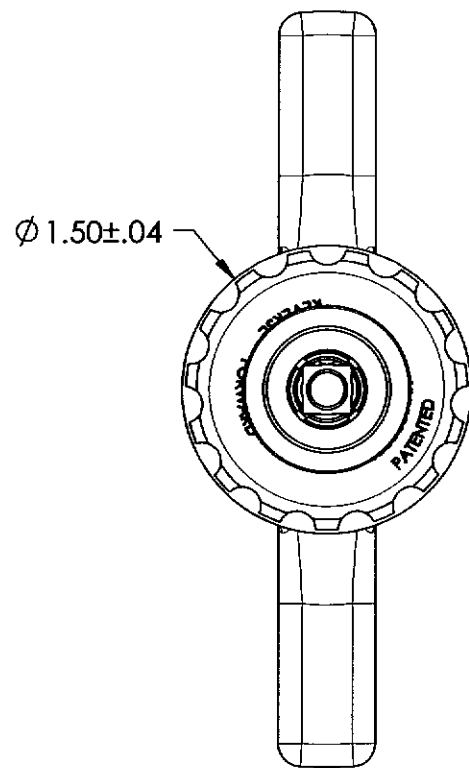


FOR REFERENCE ONLY

REVISIONS - TR323000- ____ (cc)			
REV	DESCRIPTION	DATE/BY	ECN NO.



**SECTION A-A
LASER MARKING
DETAIL**



THIS DOCUMENT INCLUDING ALL DATA, SPECIFICATIONS, AND INFORMATION CONTAINED WITHIN IS CONFIDENTIAL AND PROPRIETARY TO BEERE PRECISION MEDICAL INSTRUMENTS BY RETENTION. THE RECIPIENT AGREES NOT TO REPRODUCE, DISCLOSE, OR MAKE USE OF ITS CONTENTS IN ANY WAY, WITHOUT PRIOR WRITTEN PERMISSION OF AN OFFICER OF BEERE PRECISION MEDICAL INSTRUMENTS.

TR323000- ____ (cc)	MATERIAL	UNSPECIFIED TOLERANCES		beere PRECISION medical INSTRUMENTS		5307 95TH AVE KENOSHA, WI 53144 (262) 657-2800	
	HEAT TREAT	X ±.020 XX ±.010 XXX ±.005 .XXX ±.0005	ANGLE ±1° MACHINE FINISH 32				
	FINISH	CONCENTRICITY .005 T.I.R. SQUARENESS .005 T.I.R. DO NOT SCALE DRAWING		RTCL, T SLF-SQZG CLT			
	REMOVE ALL BURRS	BREAK SHARP CORNERS	DRAWN HG	DATE 10/29/03	SIZE B	SUPERSEDED NO.	DRAWING NO. TR323000- ____ (cc)
PART TO BE FREE OF DIRT, OIL AND CONTAMINANTS		APPROVED	DATE	SCALE 1:1	ILLUSTRATION		SHEET 1 OF 1