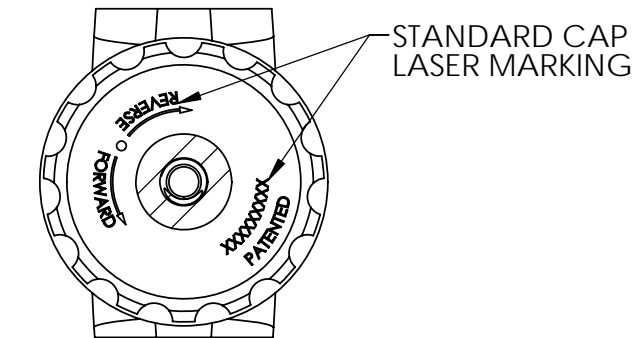
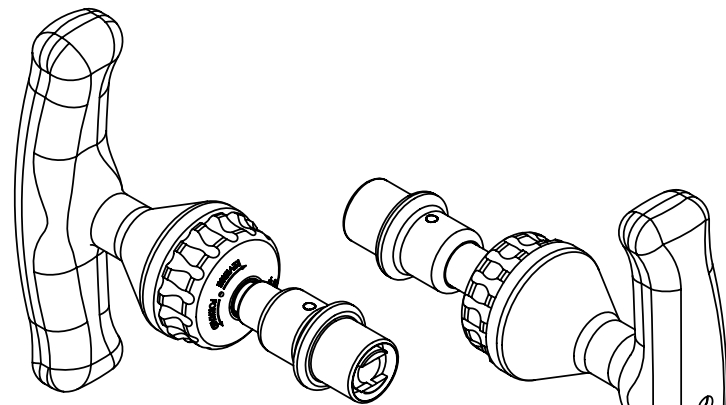


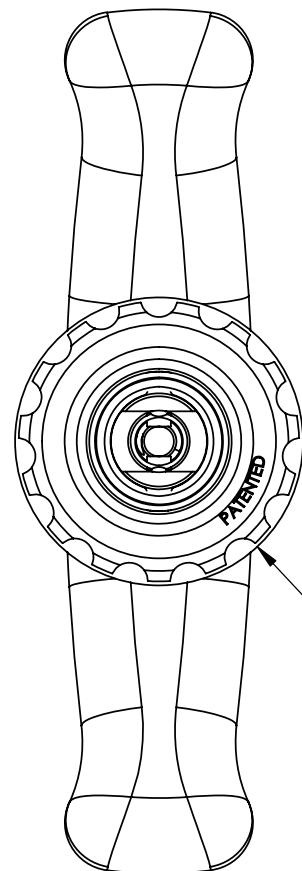
FOR REFERENCE ONLY

REVISIONS: TR415000-__ (CC)

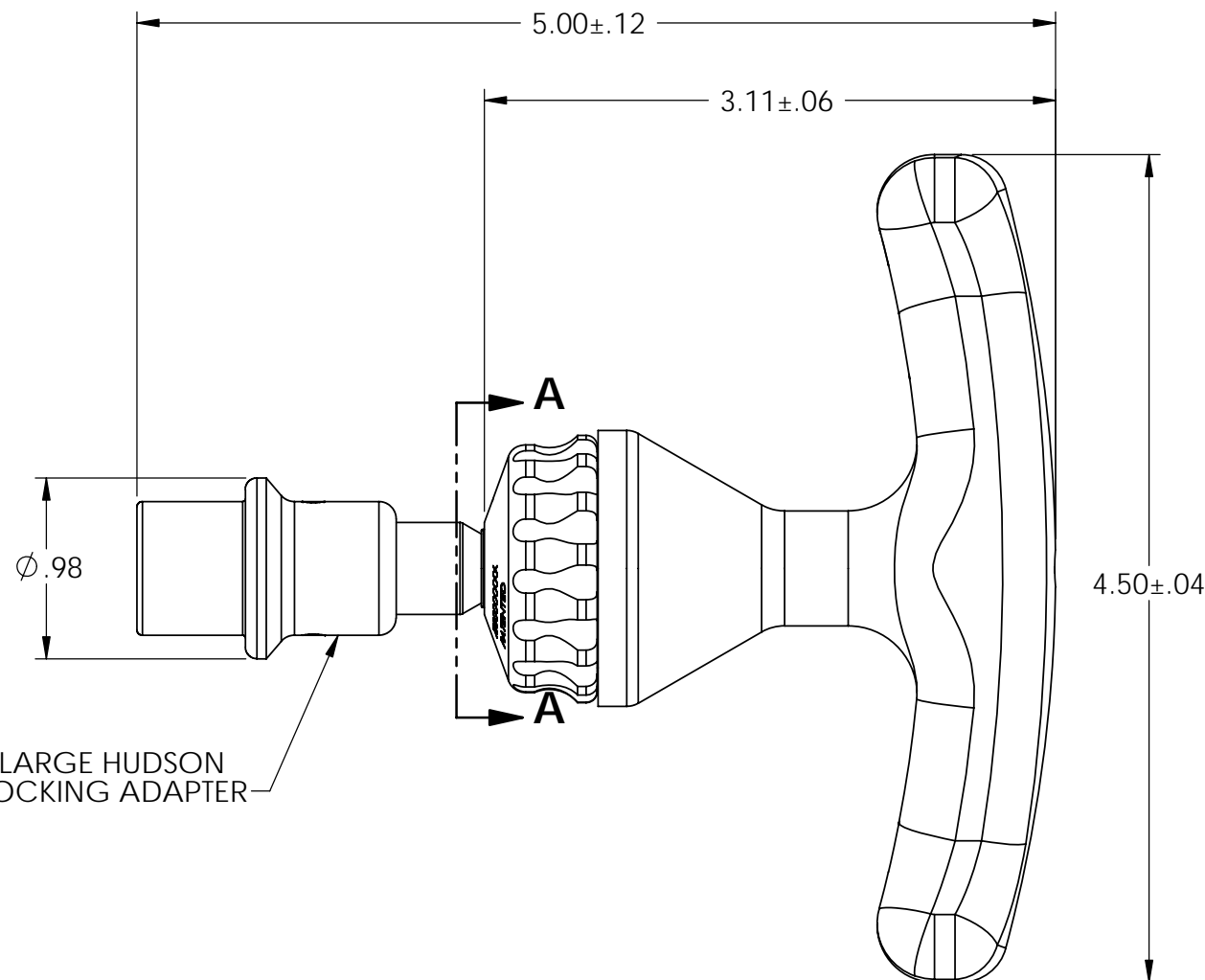
REV	DESCRIPTION	DATE/BY	DCN
-----	-------------	---------	-----



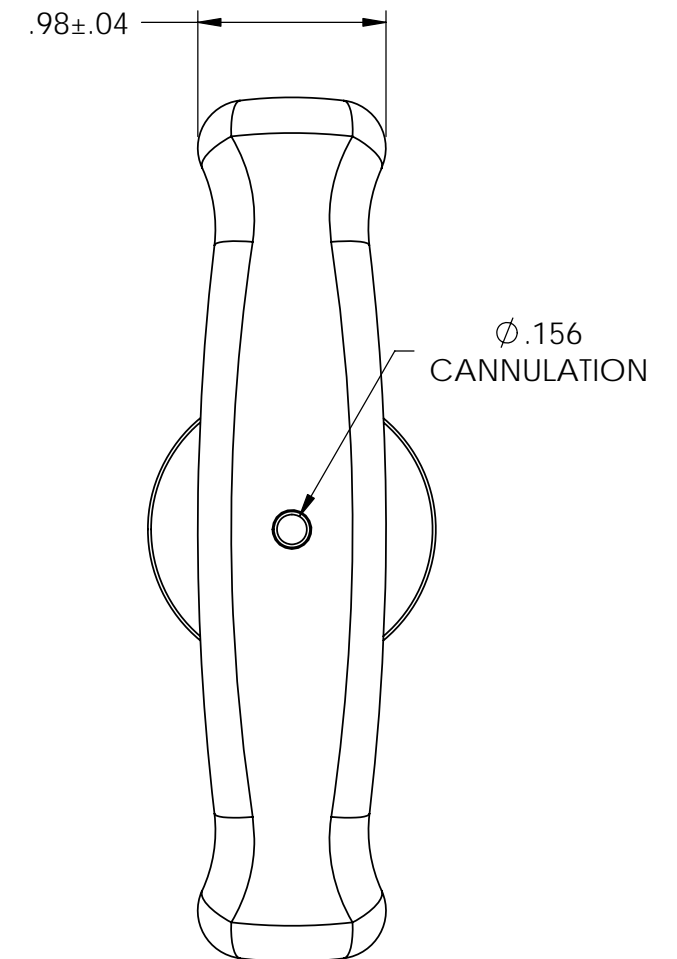
SECTION A-A
LASER MARKING
DETAIL



$\phi 1.50 \pm .04$



LARGE HUDSON
LOCKING ADAPTER



$\phi .156$
CANNULATION

THIS DOCUMENT INCLUDING ALL DATA, SPECIFICATIONS, AND INFORMATION CONTAINED WITHIN IS CONFIDENTIAL AND PROPRIETARY TO TELEFLEX MEDICAL BY RETENTION. THE RECIPIENT AGREES NOT TO REPRODUCE, DISCLOSE, OR MAKE USE OF ITS CONTENTS IN ANY WAY, WITHOUT PRIOR WRITTEN PERMISSION OF AN OFFICER OF TELEFLEX MEDICAL.

TR415000-__ (CC)	CUSTOMER REF	MATERIAL	UNSPECIFIED TOLERANCES INCHES		beere KMedic 5307 95th Avenue Kenosha, WI 53144, USA Phone: 262-657-2800 Fax: 262-657-2801 www.teleflexmedical.com			
	SOLIDMODEL TR415000-__ (CC)	HEAT TREAT	X XX XXX XXXX	+/- .020 +/- .010 +/- .005 +/- .0005				
	FORGING	FINISH	CONCENTRICITY .005 T.I.R. SQUARENESS .001 PER. IN.		TITLE RTCL, CMF-T, CANN LG HUD ADPT			
	DENOTES INSPECTION FEATURE	REMOVE ALL BURRS BREAK SHARP CORNERS PART TO BE FREE OF DIRT, OIL AND CONTAMINANTS	DRAWN CER APPROVED	DATE 03/12/08 DATE	SIZE B SCALE 1:1	SUPERSEDED NO.	DRAWING NO. TR415000-__ (CC)	REV A
					UNITS INCHES	SHEET 1 OF 1	ILLUSTRATION	