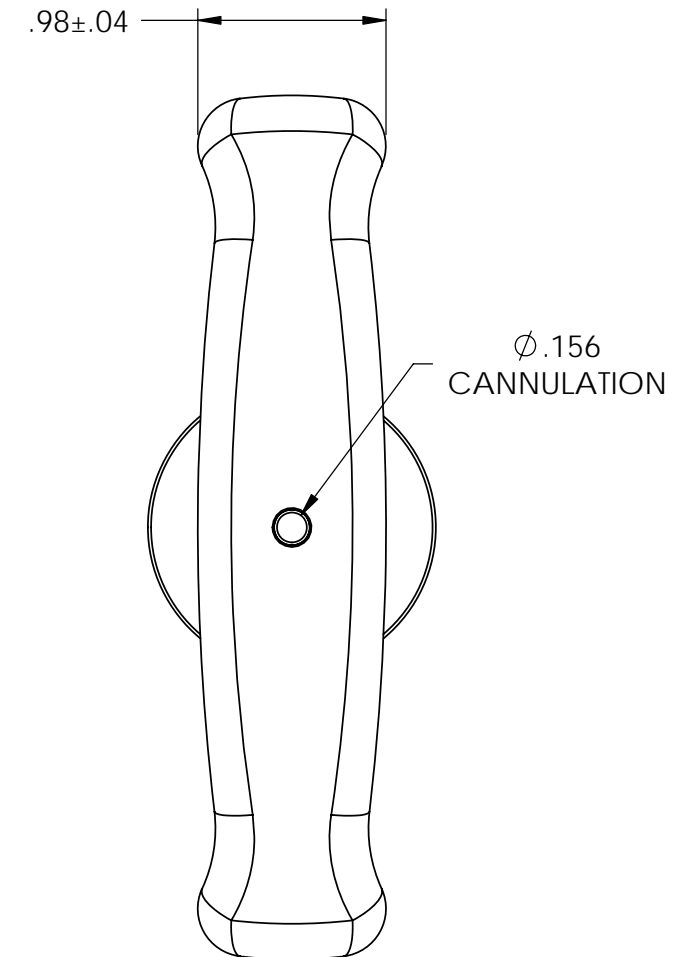
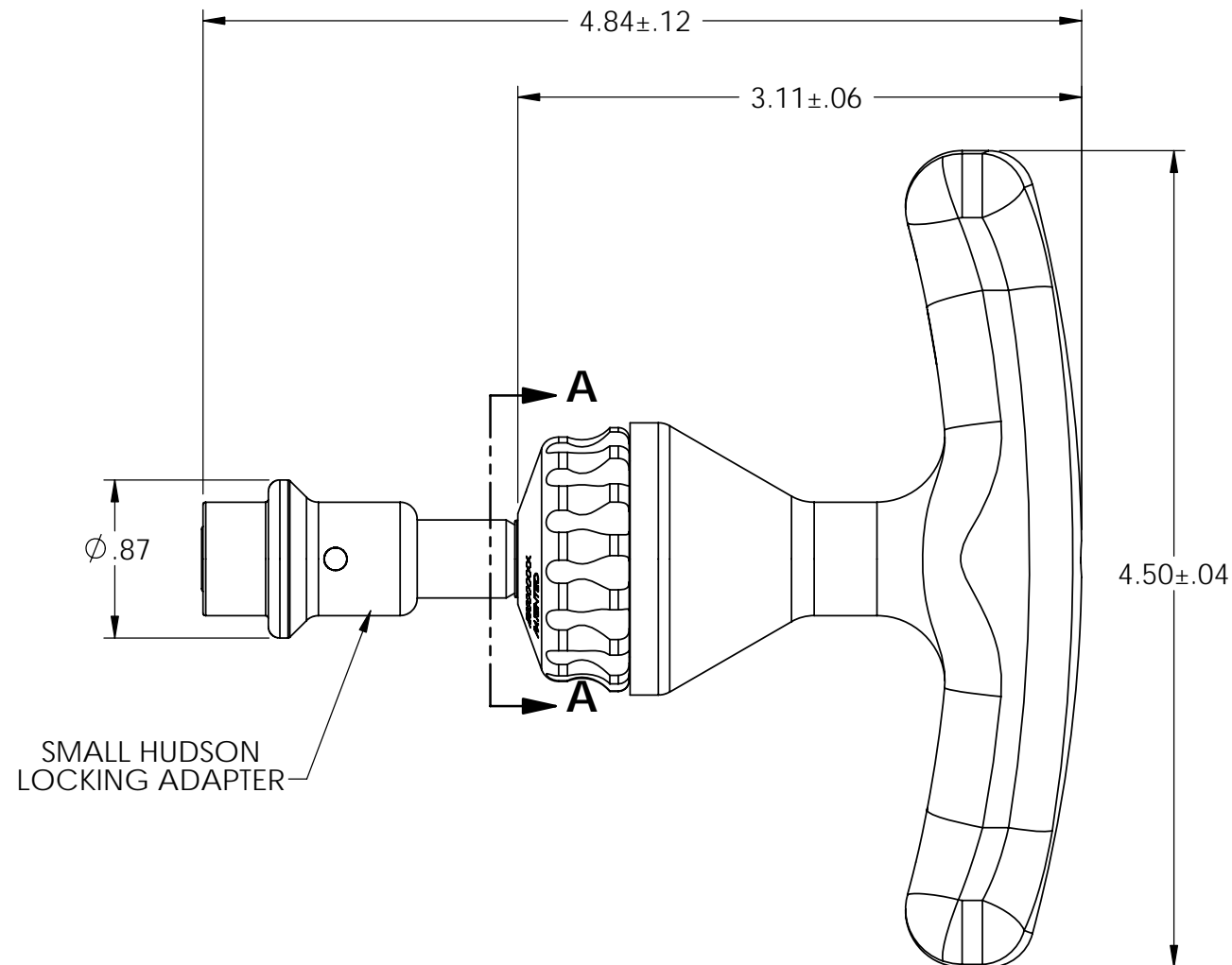
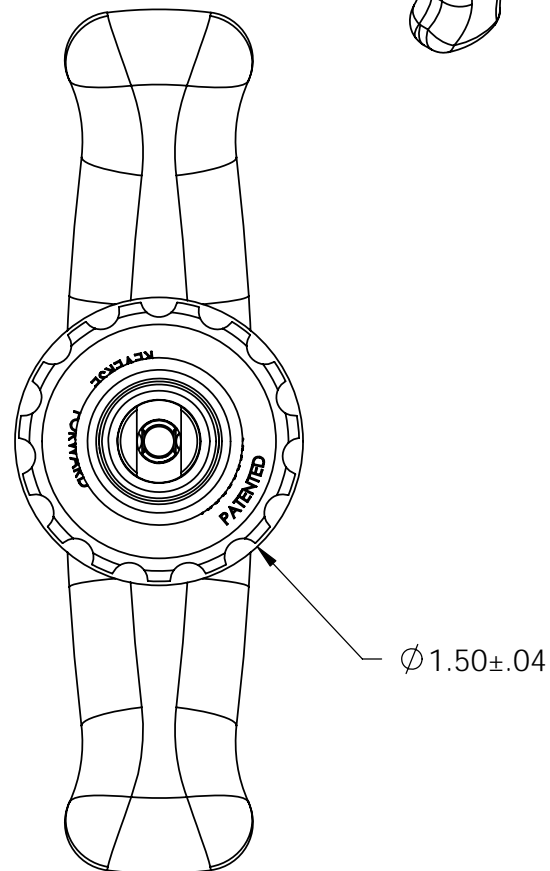
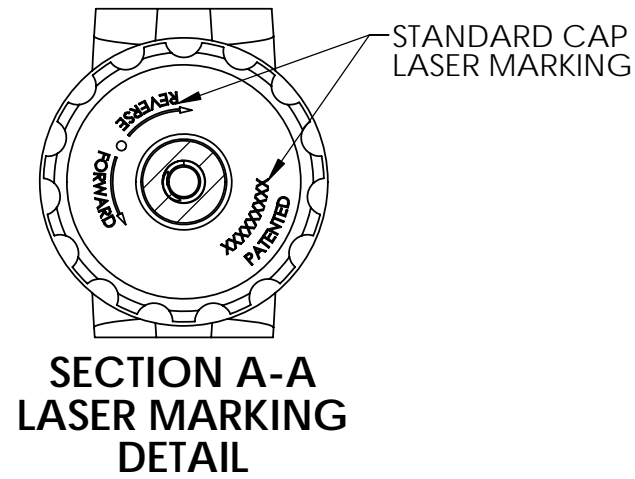
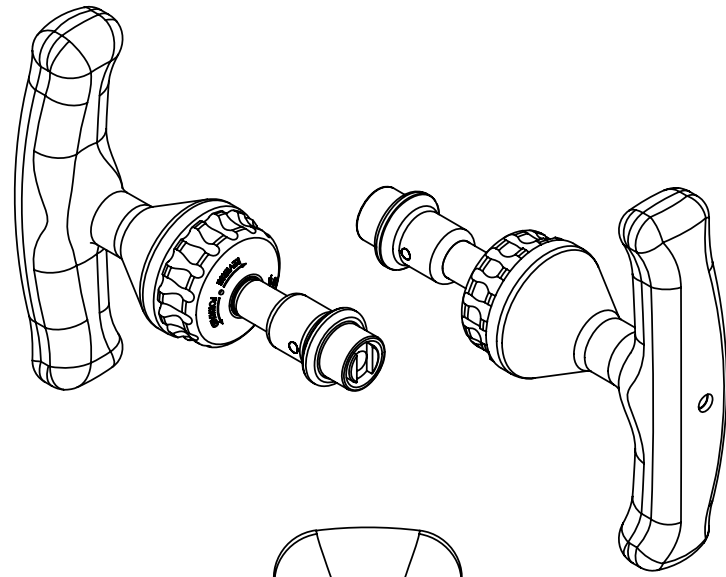


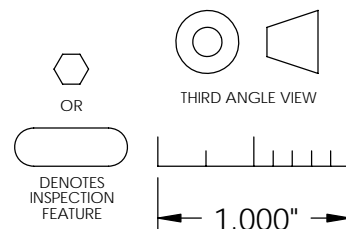
FOR REFERENCE ONLY

REVISIONS - TR416000- ____ (CC)			
REV	DESCRIPTION	DATE/BY	DCN NO.



SMALL HUDSON LOCKING ADAPTER

THIS DOCUMENT INCLUDING ALL DATA, SPECIFICATIONS, AND INFORMATION CONTAINED WITHIN IS CONFIDENTIAL AND PROPRIETARY TO BEERE PRECISION MEDICAL INSTRUMENTS BY RETENTION. THE RECIPIENT AGREES NOT TO REPRODUCE, DISCLOSE, OR MAKE USE OF ITS CONTENTS IN ANY WAY, WITHOUT PRIOR WRITTEN PERMISSION OF AN OFFICER OF BEERE PRECISION MEDICAL INSTRUMENTS.



TR416000- ____ (CC)	MATERIAL	UNSPECIFIED TOLERANCES		 5307 95TH AVE KENOSHA, WI 53144 (262) 657-2800	
	HEAT TREAT	X ±.020 XX ±.010 XXX ±.005 XXXX ±.0005	ANGLE ±1° MACHINE FINISH 32		
	FINISH	CONCENTRICITY .005 T.I.R. SQUARENESS .005 T.I.R.		TITLE RTCL, CMF-T, CANN SM HUD ADPT	
	REMOVE ALL BURRS	DO NOT SCALE DRAWING			
PART TO BE FREE OF DIRT, OIL AND CONTAMINANTS	BREAK SHARP CORNERS	APPROVED	DATE	DRAWING NO. TR416000- ____ (CC) SHEET 1 OF 1	REV A ILLUSTRATION