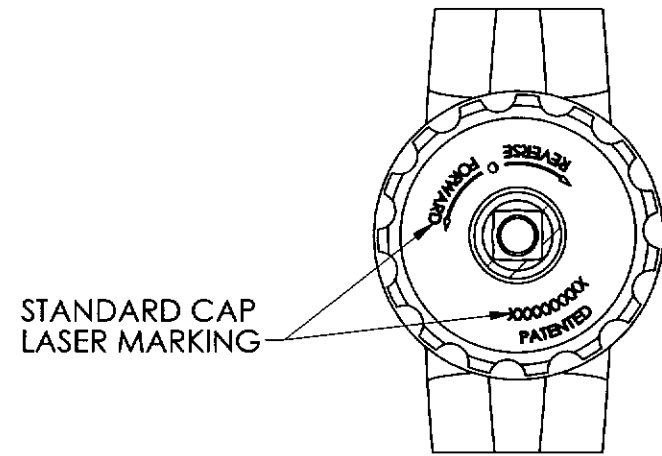
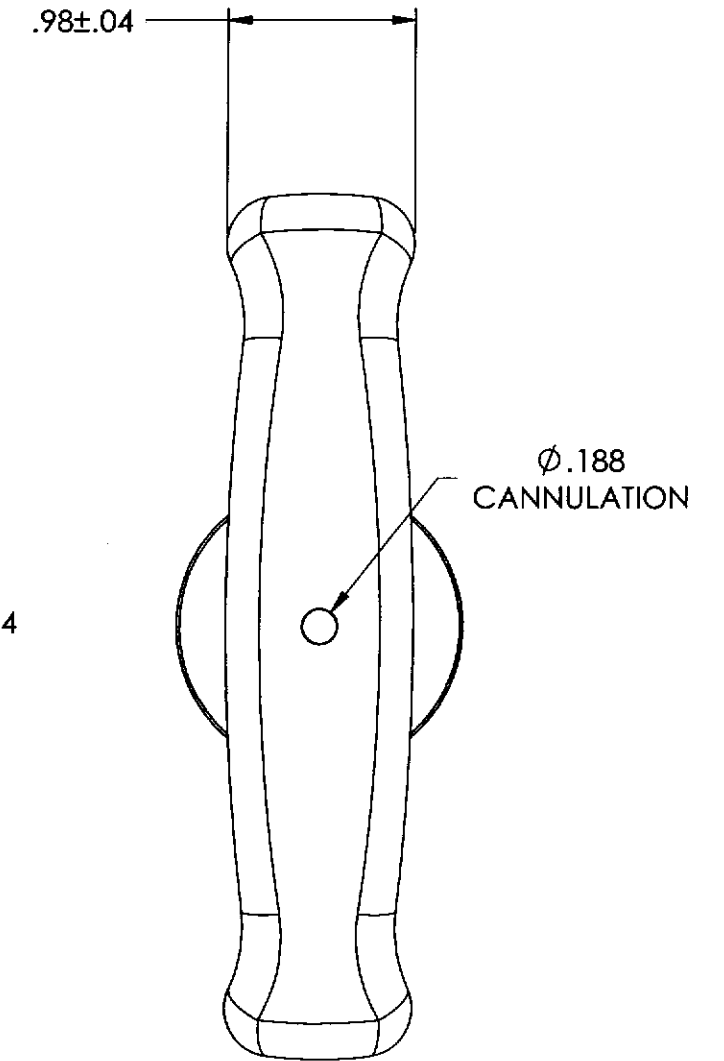
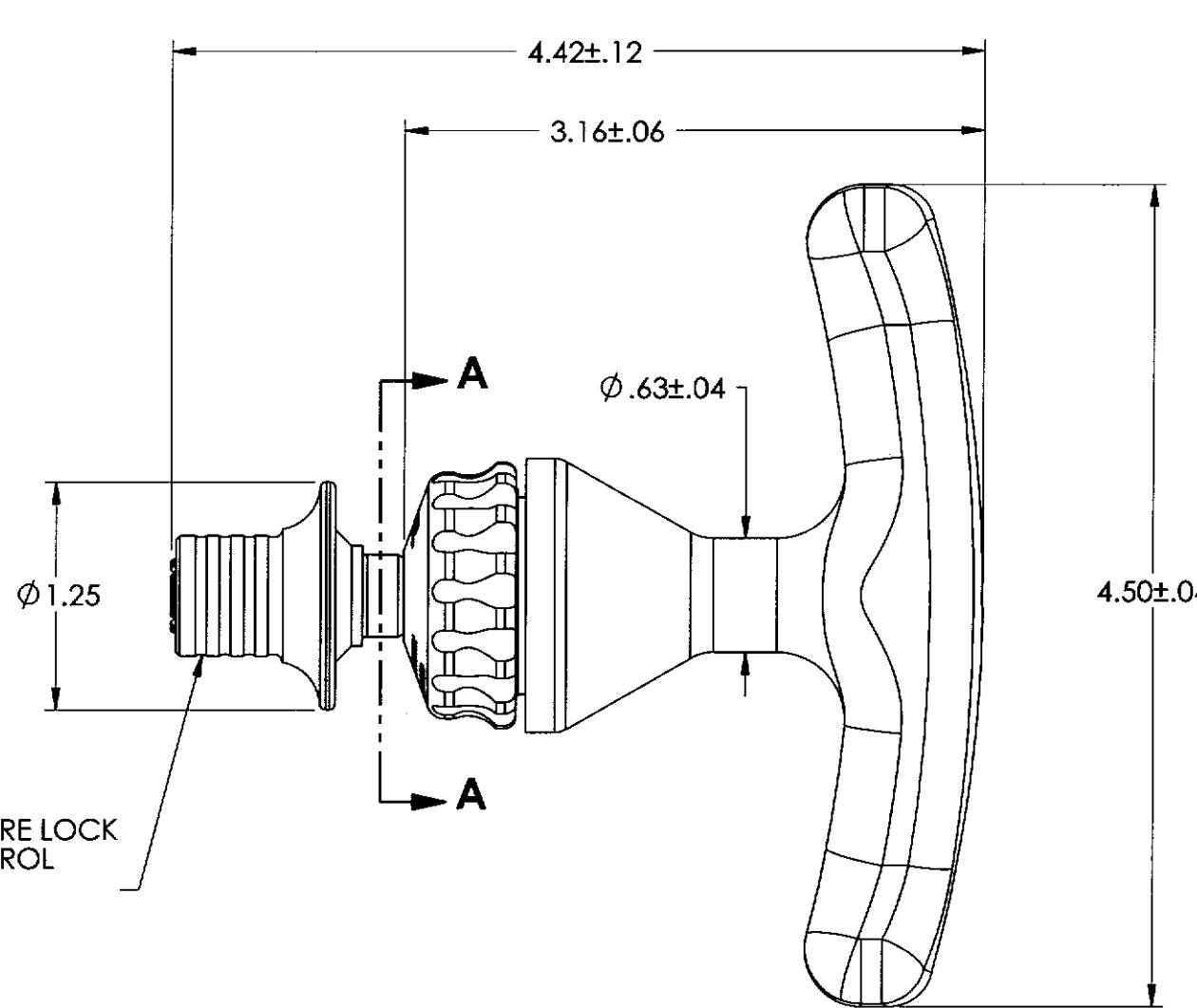
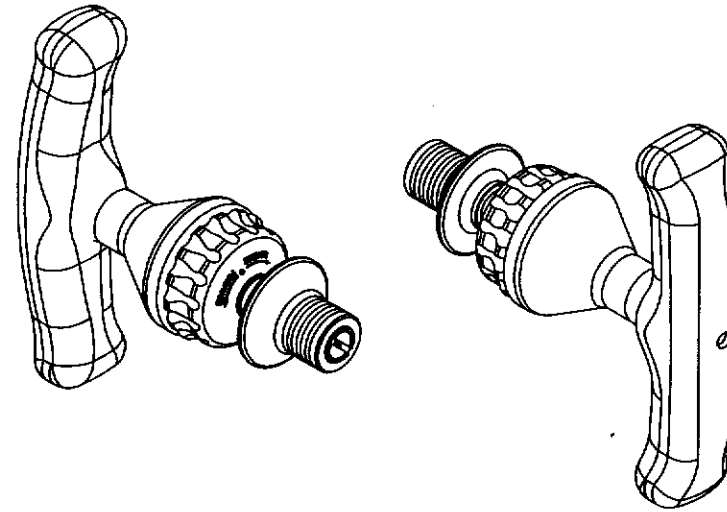
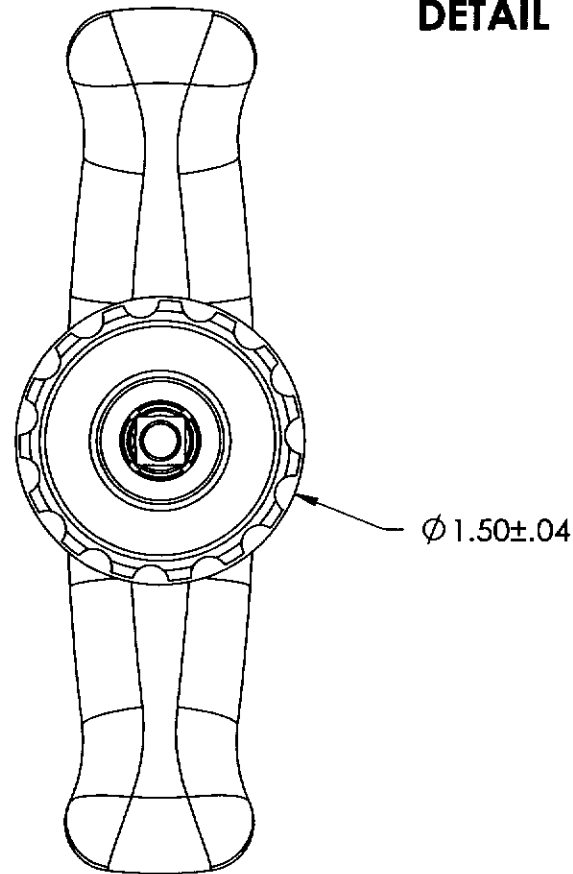


# FOR REFERENCE ONLY

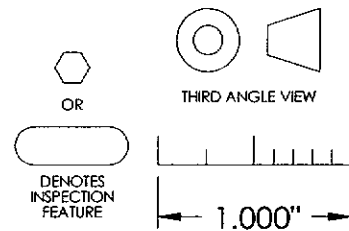
REVISIONS - TR423000- ____ (cc)			
REV	DESCRIPTION	DATE/BY	ECN NO.




**SECTION A-A  
LASER MARKING  
DETAIL**



1/4" SQUARE LOCK  
TRU-CONTROL  
ADAPTER



TR423000- ____ (cc)	MATERIAL	UNSPECIFIED TOLERANCES		 <b>beere</b> PRECISION medical INSTRUMENTS	5307 95TH AVE KENOSHA, WI 53144 (262) 657-2800		
	HEAT TREAT	.X ±.020 .XX ±.010 .XXX ±.005 .XXXX ±.0005	ANGLE ±1° MACHINE FINISH 32/		TITLE <b>RTCL, CMF-T, 1/4" SQ LOK</b>		
	FINISH	CONCENTRICITY .005 T.I.R. SQUARENESS .005 T.I.R.		SIZE			
	REMOVE ALL BURRS	BREAK SHARP CORNERS	DO NOT SCALE DRAWING	B		TR423000- ____ (cc)	REV 00
PART TO BE FREE OF DIRT, OIL AND CONTAMINANTS		APPROVED	DATE	SCALE	1:1	ILLUSTRATION	SHEET 1 OF 1

THIS DOCUMENT INCLUDING ALL DATA, SPECIFICATIONS, AND INFORMATION CONTAINED WITHIN IS CONFIDENTIAL AND PROPRIETARY TO BEERE PRECISION MEDICAL INSTRUMENTS BY RETENTION. THE RECIPIENT AGREES NOT TO REPRODUCE, DISCLOSE, OR MAKE USE OF ITS CONTENTS IN ANY WAY, WITHOUT PRIOR WRITTEN PERMISSION OF AN OFFICER OF BEERE PRECISION MEDICAL INSTRUMENTS.