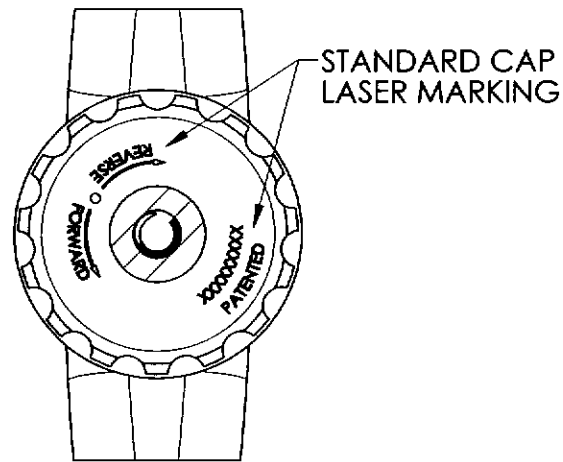
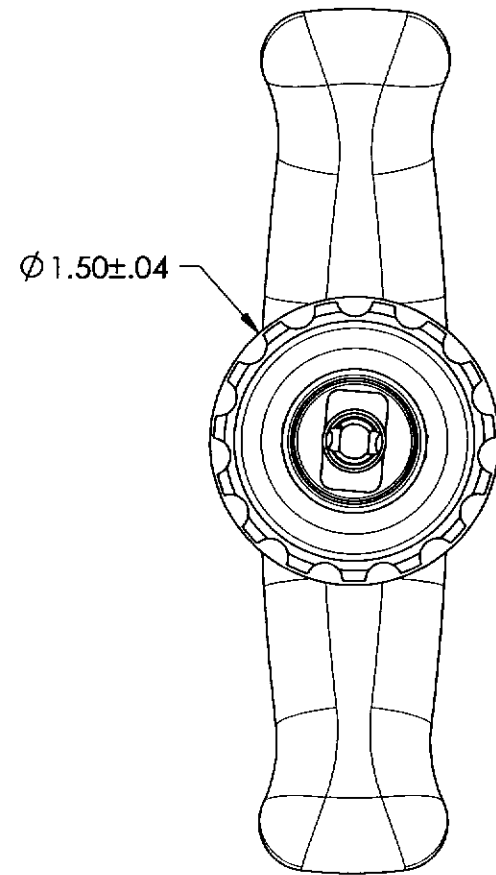
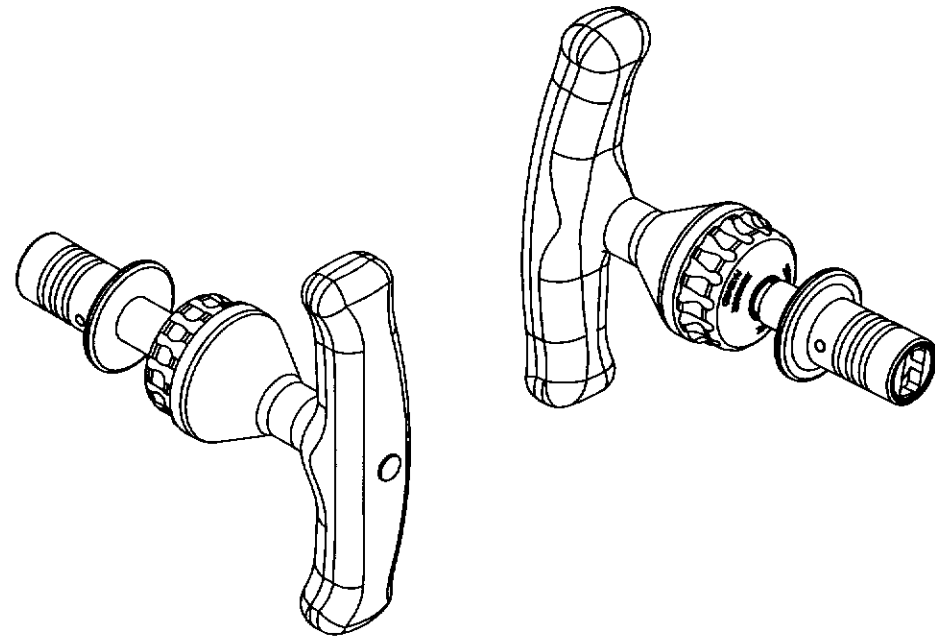
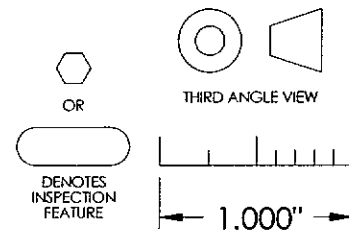
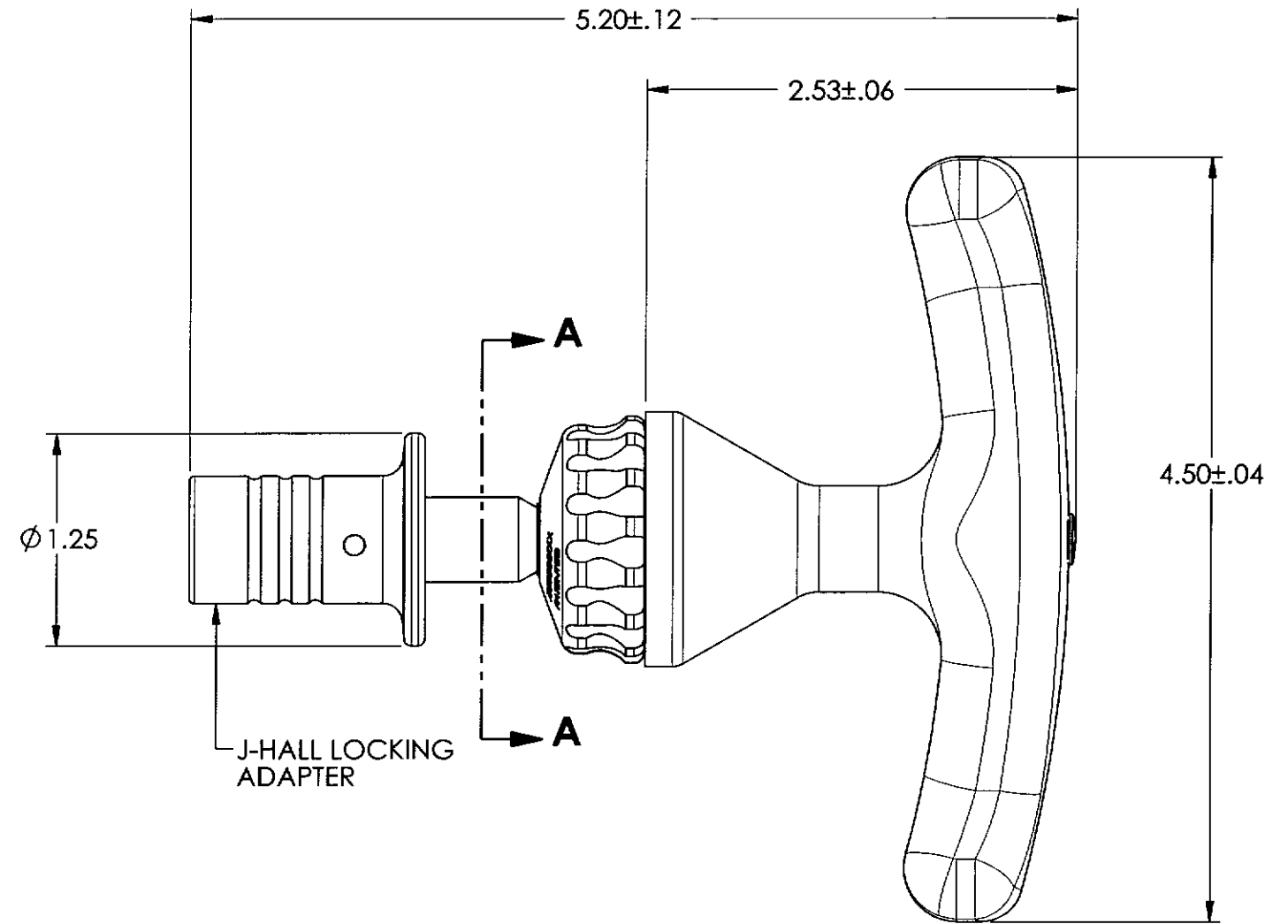


FOR REFERENCE ONLY

REVISIONS - TR425000-___(cc)			
REV	DESCRIPTION	DATE/BY	DCN NO.



**SECTION A-A
LASER MARKING
DETAIL**



THIS DOCUMENT INCLUDING ALL DATA, SPECIFICATIONS, AND INFORMATION CONTAINED WITHIN IS CONFIDENTIAL AND PROPRIETARY TO BEERE PRECISION MEDICAL INSTRUMENTS BY RETENTION. THE RECIPIENT AGREES NOT TO REPRODUCE, DISCLOSE, OR MAKE USE OF ITS CONTENTS IN ANY WAY, WITHOUT PRIOR WRITTEN PERMISSION OF AN OFFICER OF BEERE PRECISION MEDICAL INSTRUMENTS.

TR425000-___(cc)	MATERIAL	UNSPECIFIED TOLERANCES			5307 95TH AVE KENOSHA, WI 53144 (262) 657-2800		
	HEAT TREAT	X ±.020 XX ±.010 XXX ±.005 XXXX ±.0005	ANGLE ±1° MACHINE FINISH <input checked="" type="checkbox"/>		TITLE		
	FINISH TOUCH UP SATIN BRUSH	CONCENTRICITY .005 T.I.R. SQUARENESS .005 T.I.R.		RTCL, CMFT-T, J-HALL ADPT			
	REMOVE ALL BURRS PART TO BE FREE OF DIRT, OIL AND CONTAMINANTS	DO NOT SCALE DRAWING	DRAWN KMW DATE 07/13/04	SIZE B	SUPERSEDED NO.	DRAWING NO. TR425000-___(cc)	REV 00
			APPROVED	DATE	SCALE 1:1	ILLUSTRATION	SHEET 1 OF 1