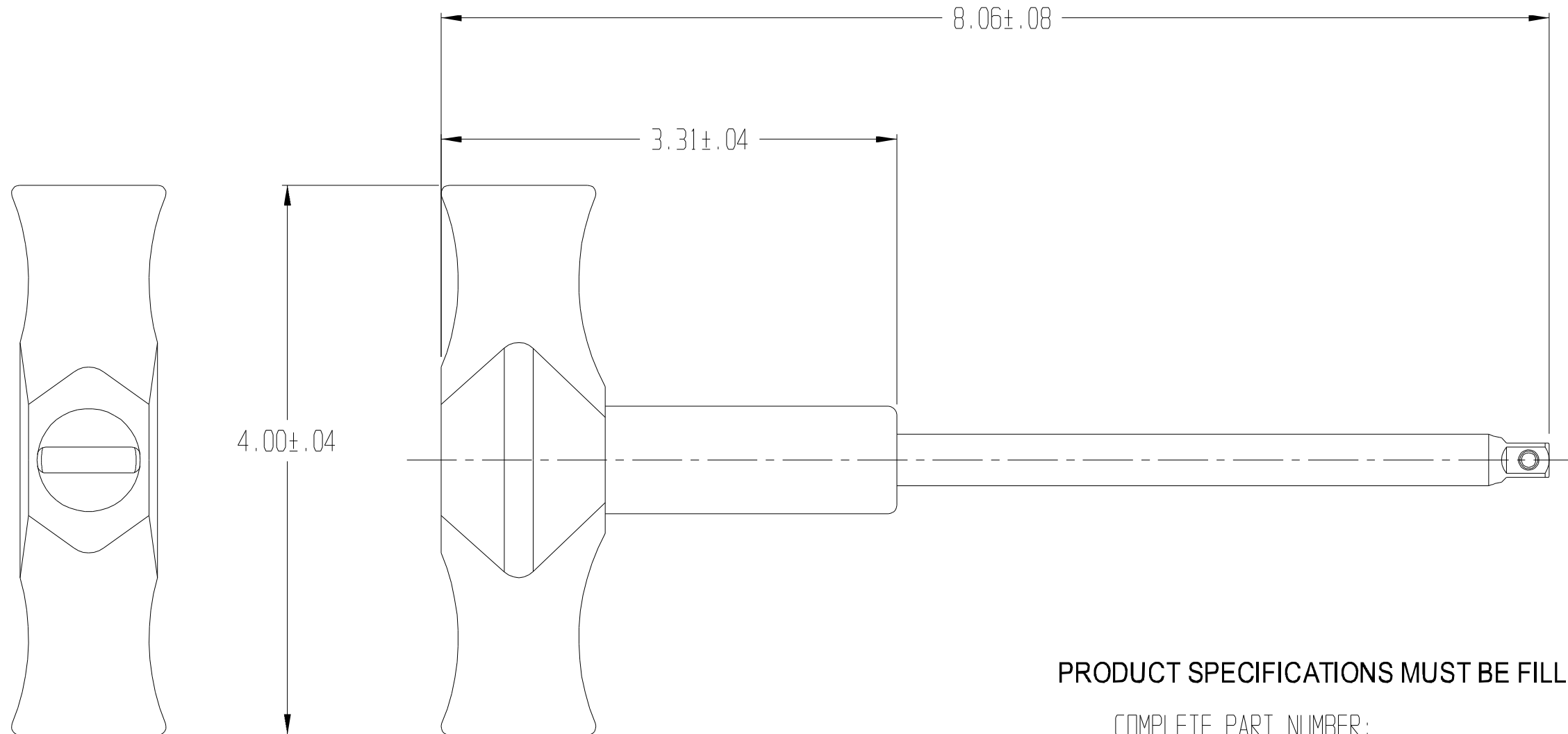


# FOR REFERENCE ONLY

REVISIONS			
REV	DESCRIPTION	DATE/BY	ECN NO.
E			



PRODUCT SPECIFICATIONS MUST BE FILLED IN AT TIME OF ORDER:

COMPLETE PART NUMBER: \_\_\_\_\_

TORQUE SETTING: \_\_\_\_\_  $\pm 10\%$

INITIAL/DATE: \_\_\_\_\_

THIS DOCUMENT INCLUDING ALL DATA, SPECIFICATIONS, AND INFORMATION CONTAINED WITHIN IS CONFIDENTIAL AND PROPRIETARY TO BEERE PRECISION MEDICAL INSTRUMENTS, INC. BY RETENTION, THE RECIPIENT AGREES NOT TO REPRODUCE, DISCLOSE, OR MAKE USE OF ITS CONTENTS IN ANY WAY WITHOUT PRIOR WRITTEN PERMISSION OF AN OFFICER OF BEERE PRECISION MEDICAL INSTRUMENTS, INC.

TS101	MATERIAL	UNSPECIFIED TOLERANCES		BEERE PRECISION MEDICAL INSTRUMENTS, INC. 5307 95th AVENUE, KENOSHA, WI 53144 (262) 657-2800	
	HEAT TREAT	.X $\pm .020$	ANGLE $\pm 1^\circ$	TITLE WR, T-LMT-T SM CCW BLA ANDZ 4.00 x 8.06"	
	FINISH	.XX $\pm .010$	MACHINE FINISH 32		
	REMOVE ALL BURRS	.XXX $\pm .005$	CONCENTRICITY .005 T.I.R.	SIZE B	
PART TO BE FREE OF DIRT, OIL, AND CONTAMINANTS	BREAK SHARP CORNERS	SQUARENESS .001 PER IN.	DO NOT SCALE DRAWING	DATE 07/18/00	REV E
		DRAWN JAR		DATE 07/18/00	SCALE 1 : 1
		APPROVED		DATE	ILLUSTRATION SHEET 1 OF 1