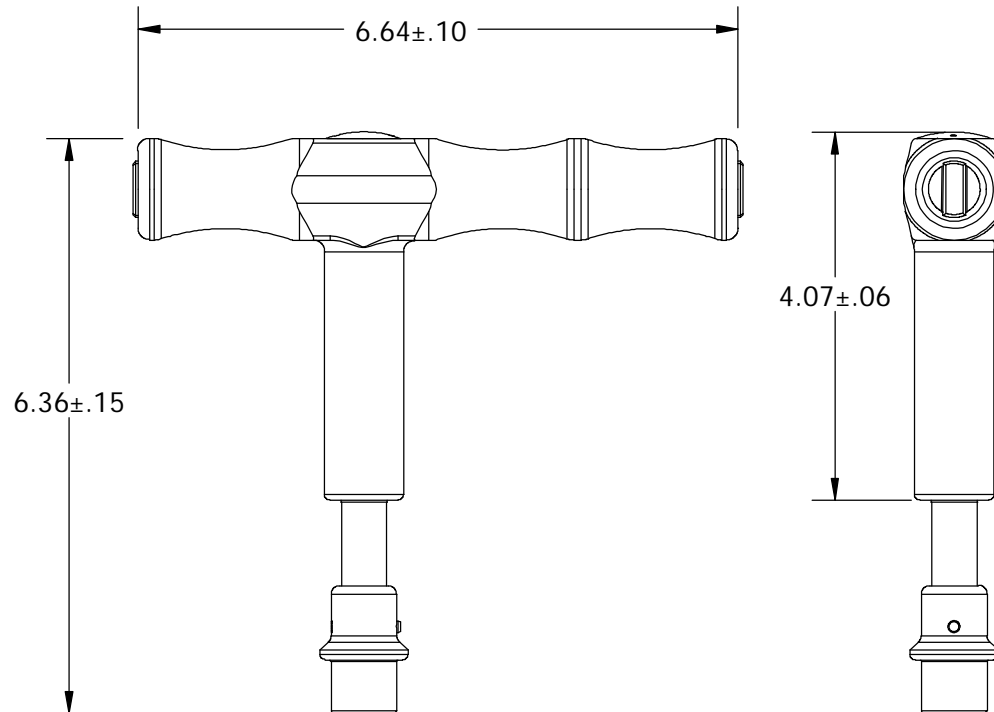
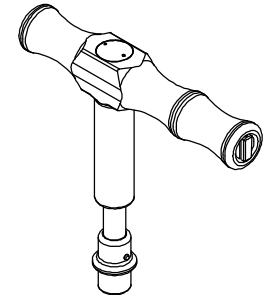


# FOR REFERENCE ONLY

## REVISIONS - TX108xxx-\_\_\_(cc)

REV	DESCRIPTION	DATE/BY	ECN NO.
C	LEFT HAND THREAD COLLAR WAS RIGHT HAND THREAD COLLAR	03/12/03 KPL	2276



PRODUCT SPECIFICATIONS TO BE FILLED IN AT TIME OF ORDER:

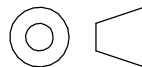
COMPLETE PART NO. \_\_\_\_\_

TORQUE SETTINGS: \_\_\_\_\_ ±10% (120 LB-IN MAX)

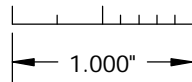
COLOR OF HANDLE: \_\_\_\_\_

APPROVAL/DATE: \_\_\_\_\_

OR DENOTES INSPECTION FEATURE



THIRD ANGLE VIEW



THIS DOCUMENT INCLUDING ALL DATA, SPECIFICATIONS, AND INFORMATION CONTAINED WITHIN IS CONFIDENTIAL AND PROPRIETARY TO BEERE PRECISION MEDICAL INSTRUMENTS BY RETENTION, THE RECIPIENT AGREES NOT TO REPRODUCE, DISCLOSE, OR MAKE USE OF ITS CONTENTS IN ANY WAY WITHOUT PRIOR WRITTEN PERMISSION OF AN OFFICER OF BEERE PRECISION MEDICAL INSTRUMENTS.

MATERIAL		UNSPECIFIED TOLERANCES		 5307 95TH AVE KENOSHA, WI 53144 (262) 657-2800	
HEAT TREAT		.X +/- .020	ANGLE +/- .1°		
FINISH		.XX +/- .010	MACHINE	TITLE	
SCOTCHBRITE SHAFT		.XXX +/- .005	FINISH 32	WR, EXT D T-TORO	
ALUMINUM OXIDE / ANODIZED		.XXXX +/- .0005	DO NOT SCALE DRAWING	REINFORCED STD HUD, ATTACHED	
REMOVEMILL BURRS	BREAK SHARP CORNERS	CONCENTRICITY .005 T.I.R.	DATE 03/23/00	SIZE A	SUPERSEDED NO.
PART TO BE FREE OF DIRT, OIL, AND CONTAMINANTS		SQUARENESS .001 PER IN.	APPROVED	SCALE 1:2	DRAWING NO. TX108xxx-___(cc)
				REV. C	SHEET 1 OF 1