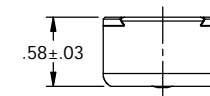
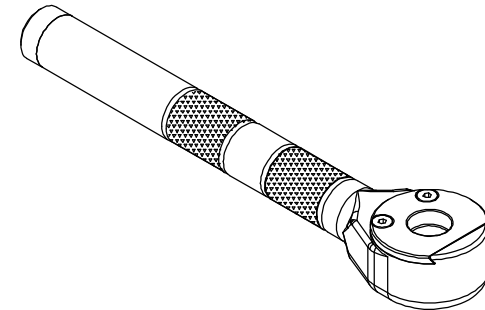
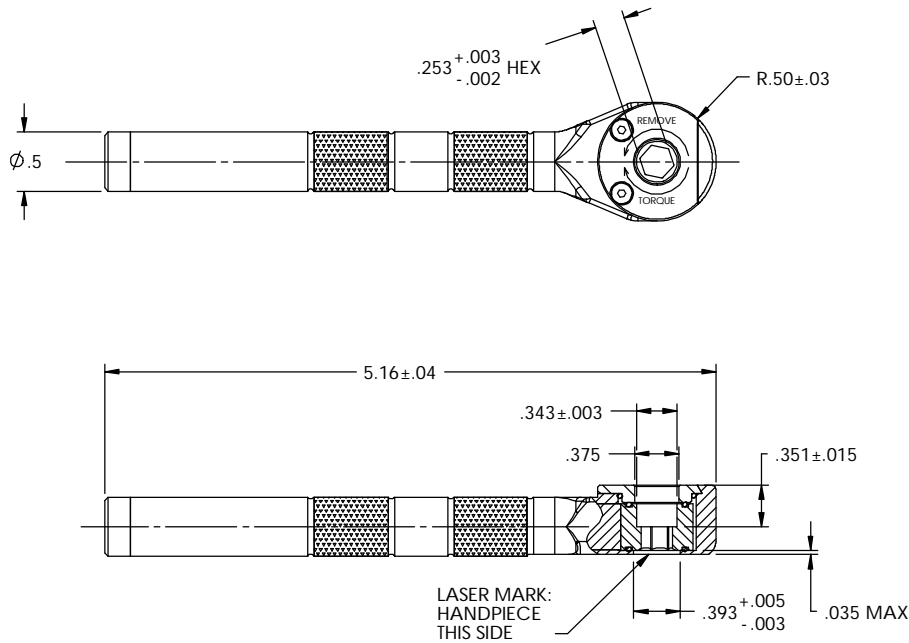


FOR REFERENCE ONLY

REVISIONS - V0200800

REV	DESCRIPTION	DATE/BY	ECN NO.



PRODUCT SPECIFICATIONS TO BE FILLED IN AT TIME OF ORDER:

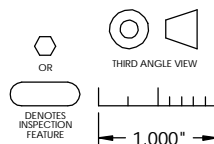
COMPLETE PART NO. _____

TORQUE SETTINGS: _____ $\pm 10\%$ (50 LB-IN MAX)

COLOR OF HANDLE: _____

APPROVAL/DATE: _____

THIS DOCUMENT INCLUDING ALL DATA, SPECIFICATIONS, AND INFORMATION CONTAINED WITHIN IS CONFIDENTIAL AND PROPRIETARY TO BEERE PRECISION MEDICAL INSTRUMENTS BY RETENTION. THE RECIPIENT AGREES NOT TO REPRODUCE, DISCLOSE, OR MAKE USE OF ITS CONTENTS IN ANY WAY, WITHOUT PRIOR WRITTEN PERMISSION OF AN OFFICER OF BEERE PRECISION MEDICAL INSTRUMENTS.



V0200800	MATERIAL	UNSPECIFIED TOLERANCES			5307 95TH AVE KENOSHA, WI 53144 (262) 657-2800		
	HEAT TREAT	X $\pm .020$ XX $\pm .010$ XXX $\pm .005$ XXXX $\pm .0005$	ANGLE $\pm 1^\circ$ MACHINE FINISH $32 \checkmark$		TITLE		
	FINISH	CONCENTRICITY $.005$ T.I.R. SQUARENESS $.005$ T.I.R.	DO NOT SCALE DRAWING	ONE WAY TORQUE WRENCH REMOVABLE CAP			
	REMOVE ALL BURRS BREAK SHARP CORNERS PART TO BE FREE OF DIRT, OIL AND CONTAMINANTS	DRAWN HG APPROVED _____	DATE 12/19/02 DATE _____	SIZE B SCALE 1:1	SUPERSEDED NO. DRAWING NO. V0200800	REV N/C SHEET 1 OF 1	