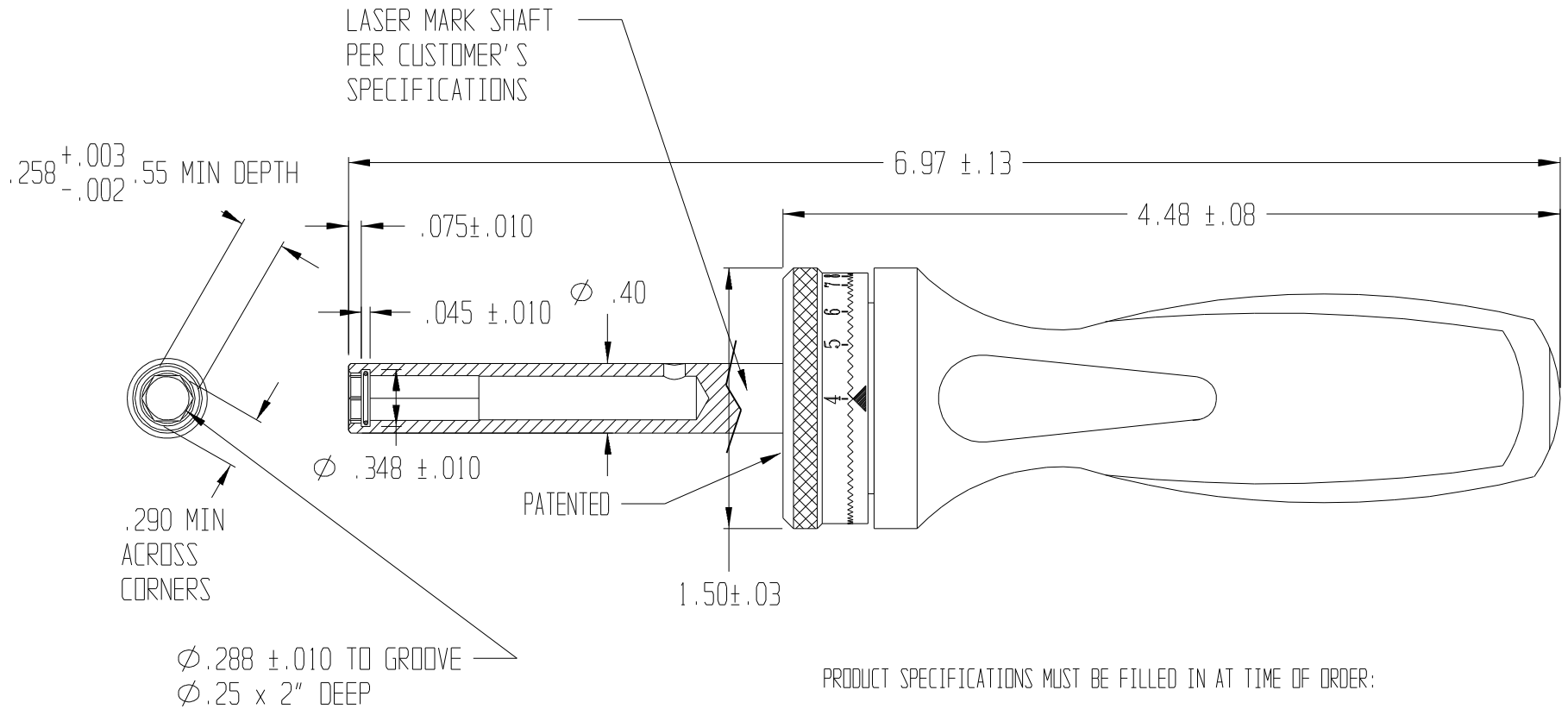


# FOR REFERENCE ONLY

REVISIONS - VT103xxxx(LI/Nm) - \_\_\_\_ (cc)

REV	DESCRIPTION	DATE/BY	ECN NO.
C			



PRODUCT SPECIFICATIONS MUST BE FILLED IN AT TIME OF ORDER:

COMPLETE PART NUMBER: \_\_\_\_\_

TORQUE SETTING: \_\_\_\_\_ ±15%

COLOR OF HANDLE: \_\_\_\_\_

APPROVAL/DATE: \_\_\_\_\_

THIS DOCUMENT INCLUDING ALL DATA, SPECIFICATIONS, AND INFORMATION CONTAINED WITHIN IS CONFIDENTIAL AND PROPRIETARY TO BEERE PRECISION MEDICAL INSTRUMENTS, INC. BY RETENTION, THE RECIPIENT AGREES NOT TO REPRODUCE, DISCLOSE, OR MAKE USE OF ITS CONTENTS IN ANY WAY WITHOUT PRIOR WRITTEN PERMISSION OF AN OFFICER OF BEERE PRECISION MEDICAL INSTRUMENTS, INC.

MATERIAL	UNSPECIFIED TOLERANCES .X +/- .020 ANGLE +/- 1° .XX +/- .010 MACHINE FINISH 32 .XXX +/- .005 .XXXX +/- .0005	BEERE PRECISION MEDICAL INSTRUMENTS, INC. 5307 95th AVENUE, KENOSHA, WI 53144 (262) 657-2800
HEAT TREAT	CONCENTRICITY .005 T. I. R. SQUARENESS .001 PER IN.	TITLE VARIABLE IN-LINE TORQUE LIMITING SCREWDRIVER (SMALL)
FINISH	DO NOT SCALE DRAWING	NO VT103xxxx(LI/Nm) - ____ (cc) C
REMOVE ALL BURRS	BREAK SHARP CORNERS	SCALE 1 : 1
PART TO BE FREE OF DIRT, OIL, AND CONTAMINANTS	APPROVED DATE	ILLUSTRATION SHEET 1 OF 1