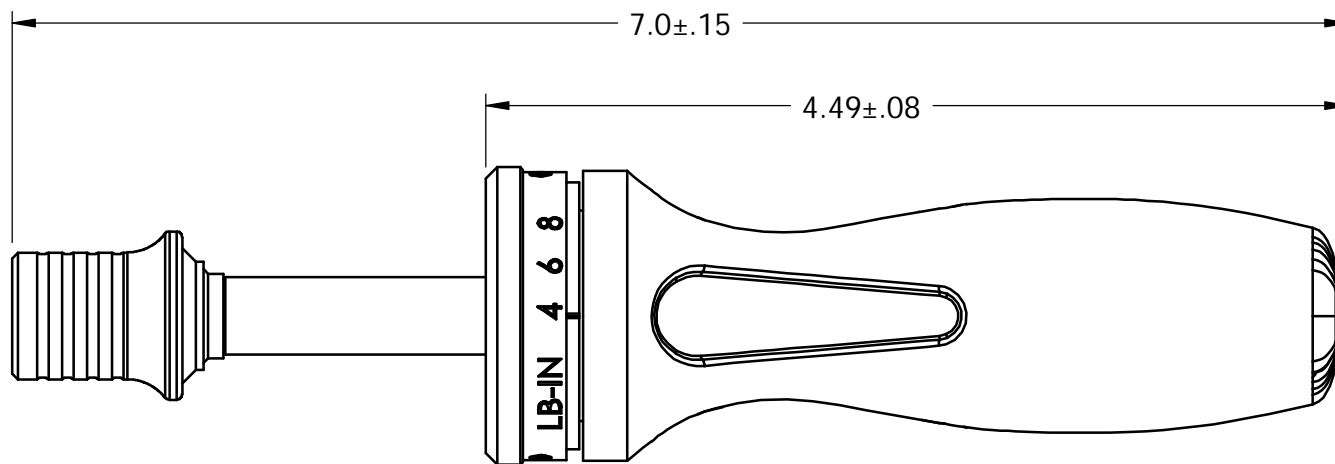
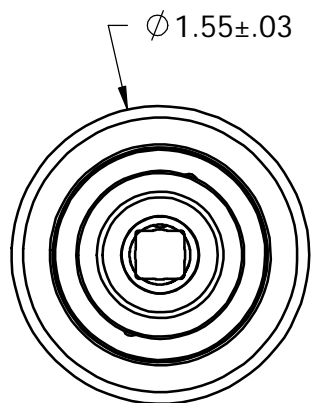


FOR REFERENCE ONLY

REVISIONS - VT105xxxx-x

REV	DESCRIPTION	DATE/BY	ECN NO.



PRODUCT SPECIFICATIONS TO BE FILLED IN AT TIME OF ORDER:

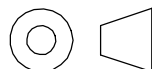
COMPLETE PART NO. _____

TORQUE SETTINGS: _____ ±15%

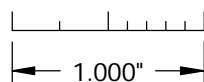
COLOR OF HANDLE: _____

APPROVAL/DATE: _____


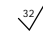
OR DENOTES INSPECTION FEATURE



THIRD ANGLE VIEW



THIS DOCUMENT INCLUDING ALL DATA, SPECIFICATIONS, AND INFORMATION CONTAINED WITHIN IS CONFIDENTIAL AND PROPRIETARY TO BEERE PRECISION MEDICAL INSTRUMENTS, INC. BY RETENTION, THE RECIPIENT AGREES NOT TO REPRODUCE, DISCLOSE, OR MAKE USE OF ITS CONTENTS IN ANY WAY WITHOUT PRIOR WRITTEN PERMISSION OF AN OFFICER OF BEERE PRECISION MEDICAL INSTRUMENTS, INC.

MATERIAL		UNSPECIFIED TOLERANCES				5307 95TH AVE KENOSHA, WI 53144 (262) 657-2800	
HEAT TREAT		X ±.020 ANGLE ±.1° .XX ±.010 MACHINE .XXX ±.005 FINISH .XXXX ±.0005				TITLE	
FINISH		CONCENTRICITY .005 T.I.R. SQUARENESS .001 PER IN.		VAR IN-LINE TORQ LMT SD		SQ LOK ADPT	
REMOVE ALL BURRS		DO NOT SCALE DRAWING		DRAWN		DATE	
BREAK SHARP CORNERS		TJM		09/07/01		DATE	
PART TO BE FREE OF DIRT, OIL, AND CONTAMINANTS		APPROVED		DATE		SCALE	
		A		1:1		ILLUSTRATION	
		SUPERSEDED NO.		DRAWING NO.		REV.	
				VT105xxxx-x		A	
		SHEET		1		OF 1	