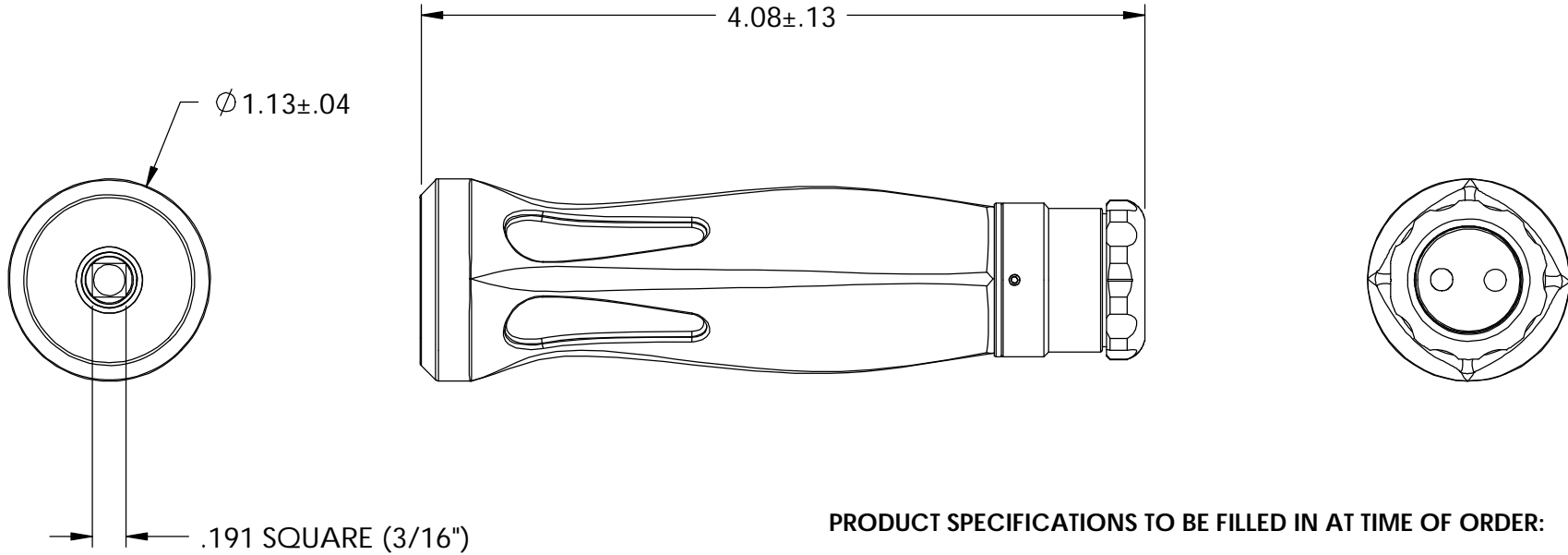


FOR REFERENCE ONLY

REVISIONS - VT1140208LI-__(cc)

REV	DESCRIPTION	DATE/BY	ECN NO.



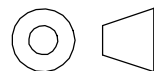
PRODUCT SPECIFICATIONS TO BE FILLED IN AT TIME OF ORDER:

COMPLETE PART NO. _____

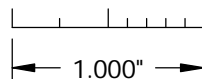
TORQUE SETTINGS: _____ ±15%

COLOR OF HANDLE: _____

APPROVAL/DATE: _____



THIRD ANGLE VIEW



OR DENOTES INSPECTION FEATURE

THIS DOCUMENT INCLUDING ALL DATA, SPECIFICATIONS, AND INFORMATION CONTAINED WITHIN IS CONFIDENTIAL AND PROPRIETARY TO BEERE PRECISION MEDICAL INSTRUMENTS BY RETENTION. THE RECIPIENT AGREES NOT TO REPRODUCE, DISCLOSE, OR MAKE USE OF ITS CONTENTS IN ANY WAY WITHOUT PRIOR WRITTEN PERMISSION OF AN OFFICER OF BEERE PRECISION MEDICAL INSTRUMENTS.

MATERIAL		UNSPECIFIED TOLERANCES				5307 95TH AVE KENOSHA, WI 53144 (262) 657-2800	
HEAT TREAT		X +/- .020	ANGLE +/- 1°	TITLE		VAR T-LMT SD, MINI HDL	
FINISH		.XX +/- .010	MACHINE	DO NOT SCALE DRAWING		DRAWING NO. VT1140208LI-__(cc)	
REMOVEMILL BURRS		.XXX +/- .005	FINISH 32	SIZE A	SUPERSEDED NO.	REV 00	SCALE 1:1
BREAK SHARP CORNERS		.XXXX +/- .0005		APPROVED	DATE 08/13/01	ILLUSTRATION	SHEET 1 OF 1
PART TO BE FREE OF DIRT, OIL, AND CONTAMINANTS							